



**48" x 32" Rectangular Table – Lateral Base.**

- 54 Lbs.
- 48" x 32" rectangular table.
- 100% Resin pedestal, resin lateral or aluminum lateral tilt base.
- Hard smooth tabletop made of molded wood/resin body with fusion bonded melamine top.
- 1 1/2" umbrella hole with plug.
- Leg leveler on one leg.
- UV inhibitors. For safe use in commercial environments.
- \$50.00 charge for orders under \$500.00.
- 6 tops and 6 bases to choose from.
- *Table Top Colors: White, Onyx Marble, Toyko Stone, Granite Green, Catalan, Wicker.*
- *Resin Table Base Colors: White, Charcoal, Bronze Mist, Bordeaux, Amazon Green, Teakwood.*
- Some assembly required.

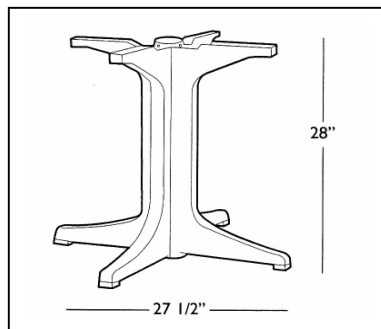
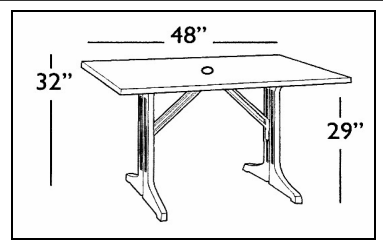
**Item #:** GR 4832RT

**Table Top Colors**



Above finishes available with or without umbrella hole except for Catalan which is umbrella hole only.

**Table Base Styles & Colors**



**NATIONAL OUTDOOR FURNITURE, INC.**

P.O. Box 296 Riverhead, NY 11901  
 Toll-Free Phone: 1-888-663-4621  
 Phone: 631-369-9099 Fax: 631-207-8312  
 Email: [nofinc@optonline.net](mailto:nofinc@optonline.net)  
[www.outdoorchaise.com](http://www.outdoorchaise.com)

**NATIONAL OUTDOOR FURNITURE, INC.**

P.O. Box 325 Pomfret Center, Ct 06259  
 Toll-Free Phone: 1-888-516-8873  
 Phone: 1-860-974-9996 Fax: 516-706-1901  
 Email: [nofinc@earthlink.net](mailto:nofinc@earthlink.net)  
[www.outdoorchaise.com](http://www.outdoorchaise.com)