

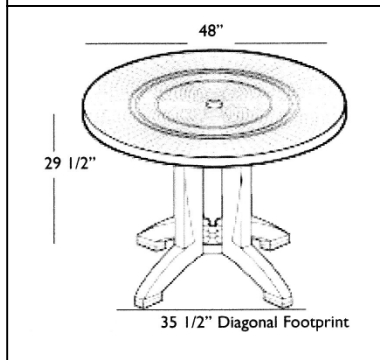


**48" Round Havana Resin Table.**

*Color: Tobacco, Espresso.*

- 44.5 Lbs.
- 48" Round x 29"H.
- 100% Resin pedestal base & top.
- UV Reistant.
- 1 1/2" diameter umbrella hole with plug.
- Masterpack of 1.
- Leg leveler on one leg.
- \$50.00 charge for orders under \$500.00.
- Some assembly required.

**Item #:** GR 48HVR



**Havana Top Colors**



**Espresso**

**Tobacco**

**Havana Base Colors**



**Teakwood**

**Bronze Mist**

**NATIONAL OUTDOOR FURNITURE, INC.**

P.O. Box 296 Riverhead, NY 11901  
Toll-Free Phone: 1-888-663-4621  
Phone: 631-369-9099 Fax: 631-207-8312  
Email: [nofinc@optonline.net](mailto:nofinc@optonline.net)  
[www.outdoorchaise.com](http://www.outdoorchaise.com)

**NATIONAL OUTDOOR FURNITURE, INC.**

P.O. Box 325 Pomfret Center, Ct 06259  
Toll-Free Phone: 1-888-516-8873  
Phone: 1-860-974-9996 Fax: 516-706-1901  
Email: [nofinc@earthlink.net](mailto:nofinc@earthlink.net)  
[www.outdoorchaise.com](http://www.outdoorchaise.com)