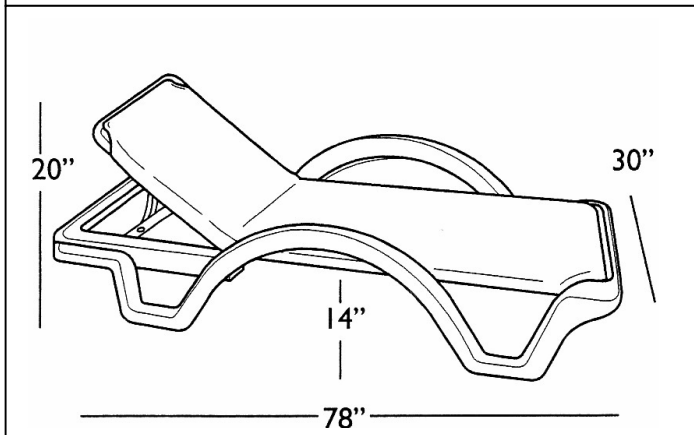




Catalina Adjustable Resin/Sling Stacking Chaise Lounge – With Arms.

- *White Frame: Seat/Back Sling: Solid Blue, Fern Green, Turquoise.*
- *Frame: Sandstone Seat/Back Sling: Natural.*
- 35 Lbs. each.
- 78”L x 30”W x 20”H – seat height 14”.
- 100% synthetic resin frame.
- Heavy duty vinyl coated material for seat and back.
- 3 position adjustable back.
- Rated to 300 lbs. For safe use in commercial environments.
- Commercial grade nylon glides to prevent scratching soft surfaces.
- Stacks for storage.
- UV inhibitors.
- Master pack 14 and 2.
- \$50.00 charge for orders under \$500.00.
- \$50.00 charge for quantities other than the master pack.

Item # GR CACH



Catalina Chaise Frame Colors



White



Sandstone

Catalina Chaise Sling Colors



Blue



Khaki



Taupe



Turquoise

NATIONAL OUTDOOR FURNITURE, INC.

P.O. Box 296 Riverhead, NY 11901
 Toll-Free Phone: 1-888-663-4621
 Phone: 631-369-9099 Fax: 631-207-8312
 Email: nofinc@optonline.net
www.outdoorchaise.com

NATIONAL OUTDOOR FURNITURE, INC.

P.O. Box 325 Pomfret Center, Ct 06259
 Toll-Free Phone: 1-888-516-8873
 Phone: 1-860-974-9996 Fax: 516-706-1901
 Email: nofinc@earthlink.net
www.outdoorchaise.com