



Large Message Center with Post - One Sided.

- 155 lbs.
- Message Board Dim: 51" x 4"D x 39"H.
- Made with recycled plastic slats.
- Meets industry standards.
- Shatter proof clear plastic sheet.
- Special coated locking mechanism.
- 96" Posts are made from solid 4" x 4" recycled boards.
- Top quality cork.
- Includes a UV protectant.
- Available in green and cedar.
- Some assembly required.
- Also available as two sided and without posts.

Item #: JP MC3P

Resinwood Colors



Blue



Cedar



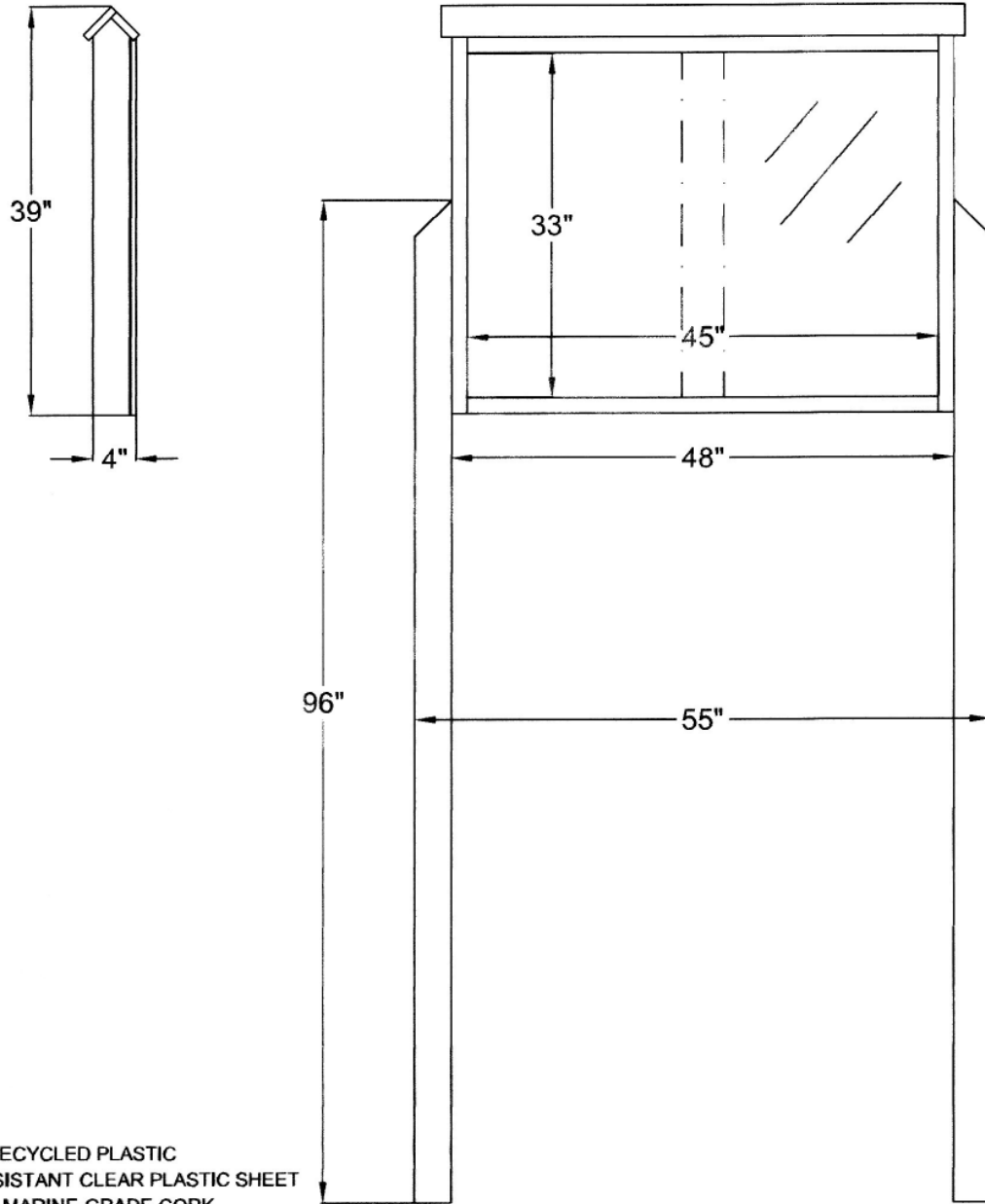
Green



Gray



Red



- MADE WITH RECYCLED PLASTIC
- SHATTER RESISTANT CLEAR PLASTIC SHEET
- TOP QUALITY MARINE-GRADE CORK
- SPECIALLY COATED LOCKING MECHANISMS
- POST IS MADE FROM 4"X 4" RECYCLED PLASTIC

NATIONAL OUTDOOR FURNITURE, INC.

P.O. Box 296 Riverhead, NY 11901
 Toll-Free Phone: 1-888-663-4621
 Phone: 631-369-9099 Fax: 631-207-8312
 Email: nofinc@optonline.net
www.outdoorchaise.com

NATIONAL OUTDOOR FURNITURE, INC.

P.O. Box 325 Pomfret Center, Ct 06259
 Toll-Free Phone: 1-888-516-8873
 Phone: 1-860-974-9996 Fax: 516-706-1901
 Email: nofinc@earthlink.net
www.outdoorchaise.com