



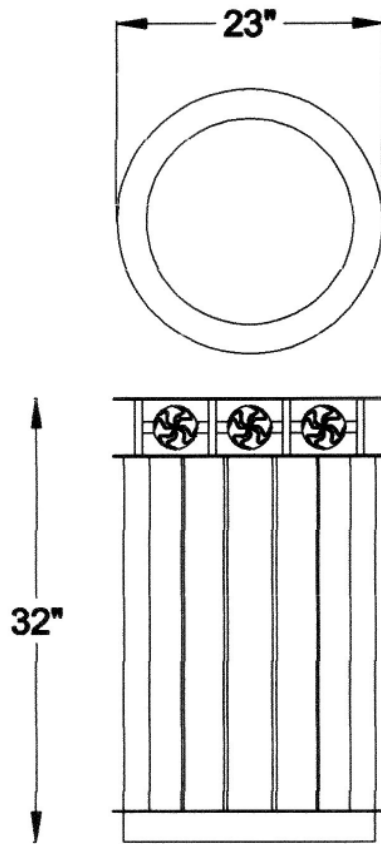
**20 Gallon Jamestown Recycled Plastic Trash Receptacle.**

- 45 lbs.
- Made with seventeen 1" x 4" recycled plastic slats.
- Powder coated steel structure.
- Custom designed, decorative circles on top of receptacle.
- Includes a UV protectant.
- Metal liner included.
- Available in green and cedar with black base/lid.
- Some assembly required.

**Item #:** JP PB20JAM

**Resinwood Colors**





- MADE WITH SEVENTEEN 1"X 4" RECYCLED PLASTIC SLATS.
- POWDER-COATED STEEL FRAME
- LINER INCLUDED
- HEAVY DUTY ZINC COATED HARDWARE STANDARD
- UNIT WEIGHT APPROX. 45 LBS.

**NATIONAL OUTDOOR FURNITURE, INC.**

P.O. Box 296 Riverhead, NY 11901  
Toll-Free Phone: 1-888-663-4621  
Phone: 631-369-9099 Fax: 631-207-8312  
Email: [nofinc@optonline.net](mailto:nofinc@optonline.net)  
[www.outdoorchaise.com](http://www.outdoorchaise.com)

**NATIONAL OUTDOOR FURNITURE, INC.**

P.O. Box 325 Pomfret Center, Ct 06259  
Toll-Free Phone: 1-888-516-8873  
Phone: 1-860-974-9996 Fax: 516-706-1901  
Email: [nofinc@earthlink.net](mailto:nofinc@earthlink.net)  
[www.outdoorchaise.com](http://www.outdoorchaise.com)