



48" Square Recycled Plastic Table with (3) Attached Seats - Surface Mount.

- 270 lbs.
- 48" Square table top x 28 3/8" High.
- Made with nine 2" x 10" recycled plastic slats and black powder coated steel base.
- Includes a UV protectant.
- Maintenance free.
- Available in green, cedar and gray with black powdercoated steel base.
- No umbrella hole.
- Some assembly required.

Item #: JP PB4BFSADA

Resinwood Colors



White



Cedar



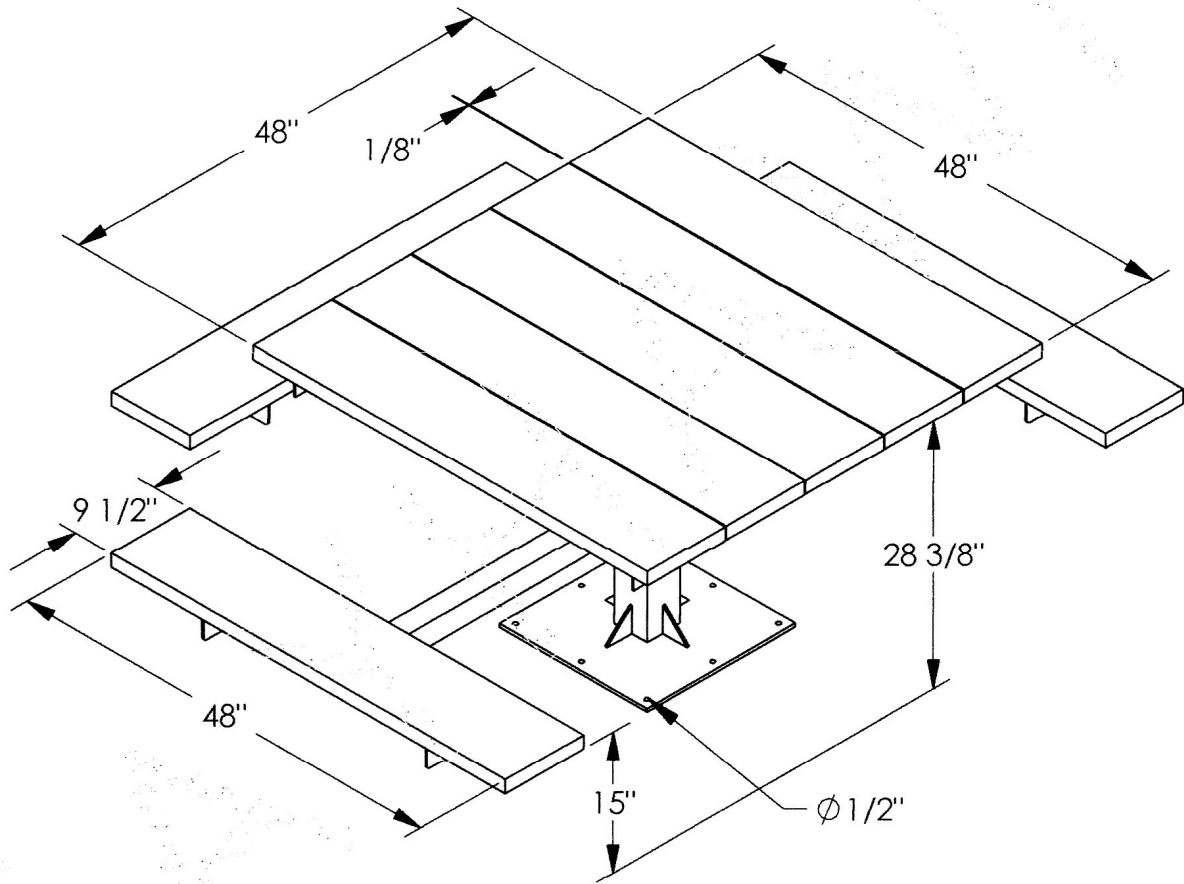
Green



Gray



Black



NOTES:

- 2 X 10 SLATS ARE RECYCLED PLASTIC
- BASES ARE STRUCTURAL STEEL
- ALL HARDWARE IS ZINC PLATED (3/8 X 5 1/2 HEX HEAD BOLT WITH LOCK WASHER AND NUT, AND 5/16 X 1 1/2 HEX HEAD LAG SCREWS)
- STAINLESS STEEL HARDWARE AVAILABLE
- UNIT WEIGHT APPROX. 270 LBS.

NATIONAL OUTDOOR FURNITURE, INC.

P.O. Box 296 Riverhead, NY 11901
 Toll-Free Phone: 1-888-663-4621
 Phone: 631-369-9099 Fax: 631-207-8312
 Email: nofinc@optonline.net
www.outdoorchaise.com

NATIONAL OUTDOOR FURNITURE, INC.

P.O. Box 325 Pomfret Center, Ct 06259
 Toll-Free Phone: 1-888-516-8873
 Phone: 1-860-974-9996 Fax: 516-706-1901
 Email: nofinc@earthlink.net
www.outdoorchaise.com