



4' Contour Recycled Plastic Bench - Surface Mount.

- Also available in 6' and 8' lengths. Shown as 6 ft. size.
- 110 lbs.
- Dim: 48"W x 11"D x 31 7/8"Ht.
- Made with eight 2" x 4" recycled plastic slats and two black recycled plastic bases.
- All holes are predrilled and countersunk for plastic lumber.
- Includes a UV protectant.
- Maintenance free.
- Available in green, cedar, white and black with black base.
- Some assembly required.

Item# JP PB4CON

Model Number	Weight	Dimensions
JP PB4CON	110 Lbs.	48"W x 11"D x 31 7/8" Ht.- 2 Bases
JP PB6CON	160 Lbs.	72"W x 11"D x 31 7/8" Ht.- 3 Bases
JP PB8CON	210 Lbs.	96"W x 11"D x 31 7/8" Ht.- 4 Bases

Resinwood Colors



White



Cedar



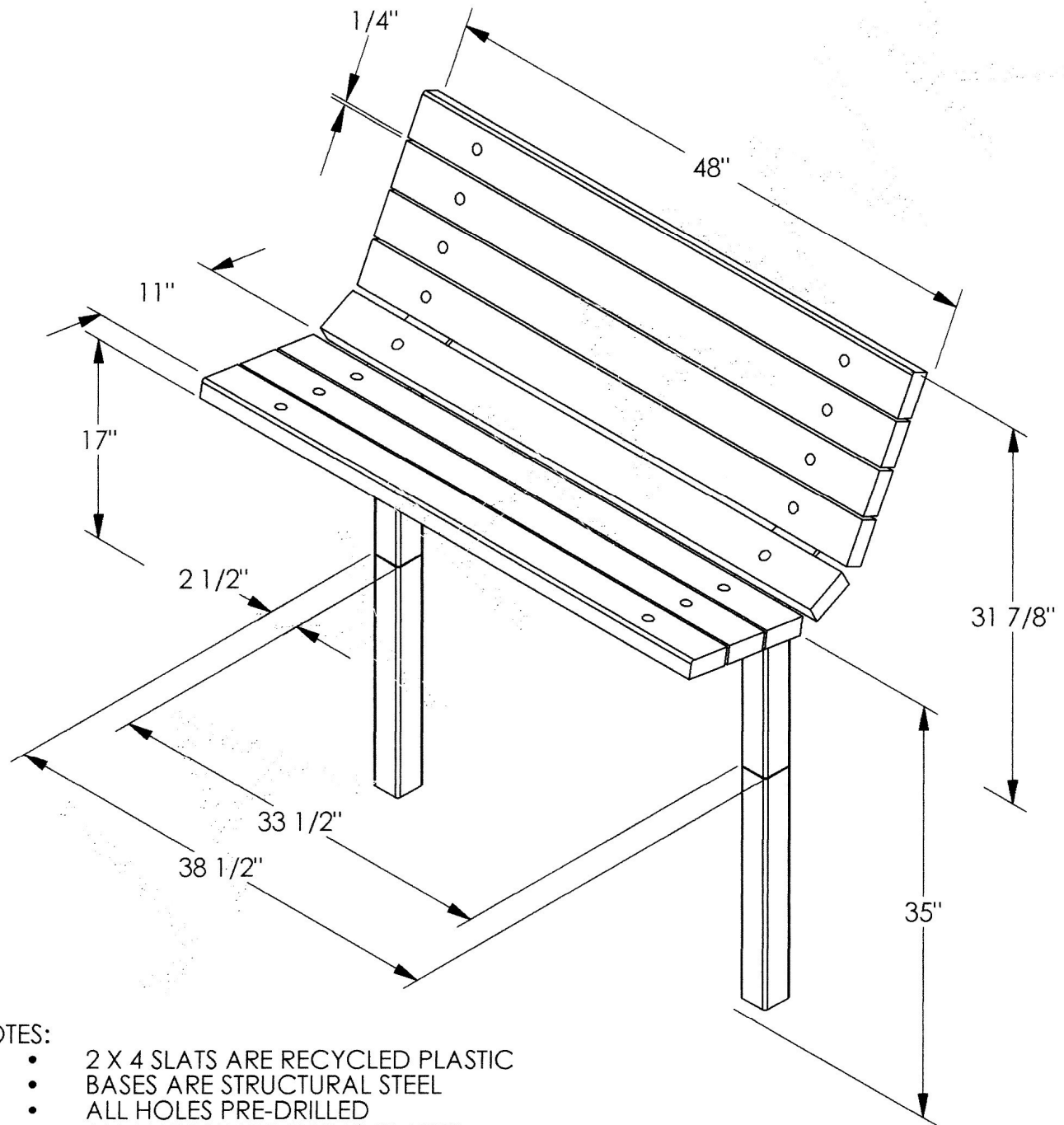
Green



Gray



Black



NOTES:

- 2 X 4 SLATS ARE RECYCLED PLASTIC
- BASES ARE STRUCTURAL STEEL
- ALL HOLES PRE-DRILLED
- ALL HARDWARE IS ZINC PLATED (3/8 X 2 1/4 LG. RND HD. BOLT WITH LOCK NUT)
- STAINLESS STEEL HARDWARE AVAILABLE
- UNIT WEIGHT APPROX. 110 LBS.

NATIONAL OUTDOOR FURNITURE, INC.

P.O. Box 296 Riverhead, NY 11901
 Toll-Free Phone: 1-888-663-4621
 Phone: 631-369-9099 Fax: 631-207-8312
 Email: nofinc@optonline.net
www.outdoorchaise.com

NATIONAL OUTDOOR FURNITURE, INC.

P.O. Box 325 Pomfret Center, Ct 06259
 Toll-Free Phone: 1-888-516-8873
 Phone: 1-860-974-9996 Fax: 516-706-1901
 Email: nofinc@earthlink.net
www.outdoorchaise.com