



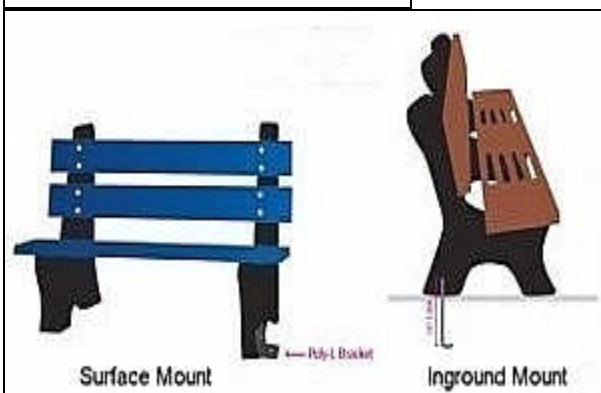
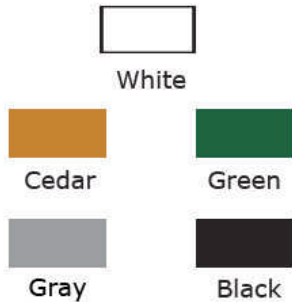
4' St. Andrews Recycled Plastic Bench.

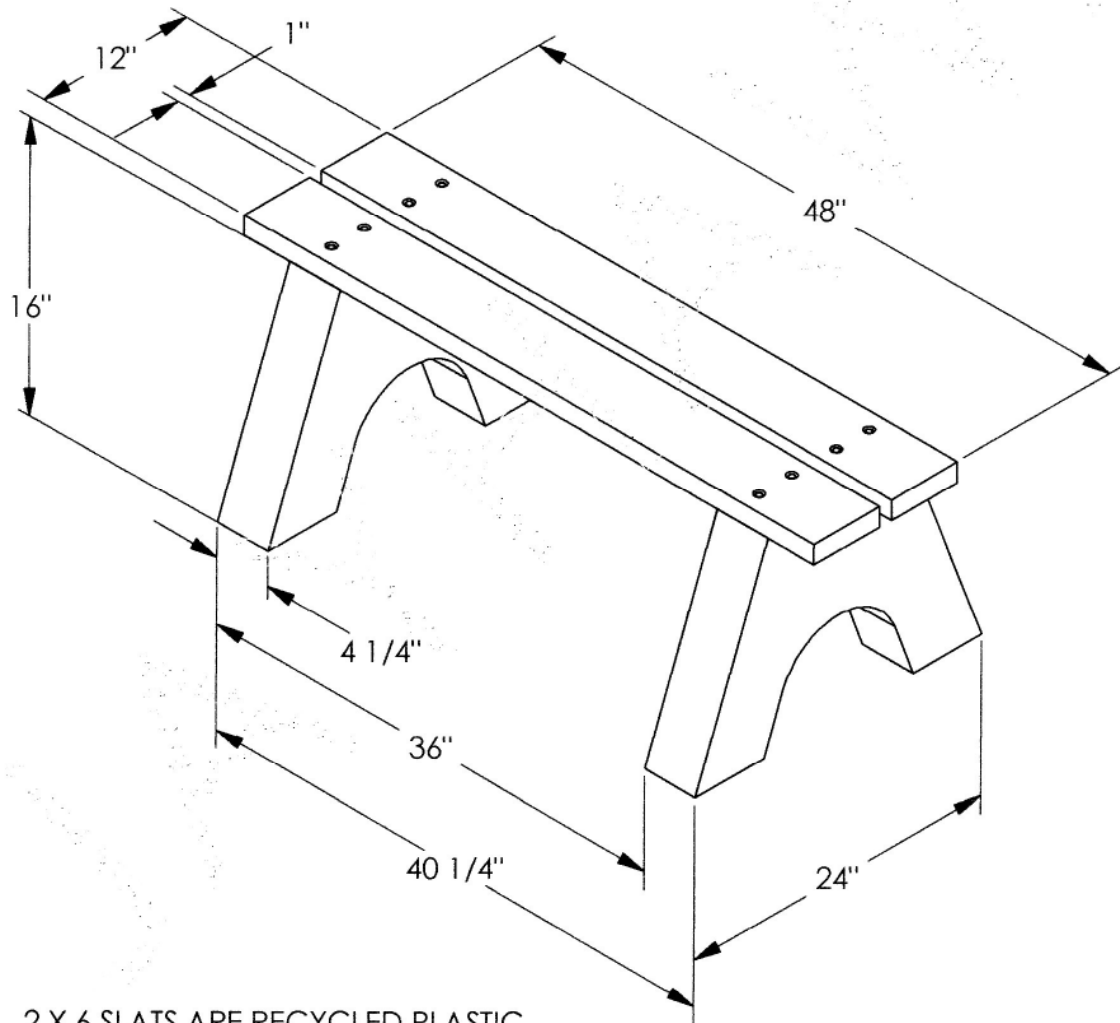
- Also available in 6' and 8' lengths. Shown in 6 ft. size.
- Inground and surface mounting kits available.
- 75 lbs.
- Dim: 48"W x 24"D x 16"Ht.
- 4' Size made with two 2" x 6" recycled plastic slats and two black recycled plastic bases.
- All holes are predrilled and countersunk for plastic lumber.
- Includes a UV protectant.
- Maintenance free.
- Available in green, cedar, white, black and gray with black base.
- Some assembly required.

Item# JP PB4STA

Model Number	Weight	Dimensions
JP PB4STA	75 Lbs.	48"W x 24"D x 16" Ht.- 2 Bases
JP PB6STA	115 Lbs.	72"W x 24"D x 16" Ht.- 3 Bases
JP PB8STA	140 Lbs.	96"W x 24"D x 16" Ht.- 4 Bases

Resinwood Colors





NOTES:

- 2 X 6 SLATS ARE RECYCLED PLASTIC
- BASES ARE RECYCLED PLASTIC
- ALL HOLES PRE-DRILLED AND COUNTERSUNK
- ALL HARDWARE IS ZINC PLATED (1/4 X 3 1/2 LG. HEX HD. LAG SCREWS, WITH WASHERS)
- STAINLESS STEEL HARDWARE AVAILABLE
- UNIT WEIGHT APPROX. 75 LBS.

NATIONAL OUTDOOR FURNITURE, INC.

P.O. Box 296 Riverhead, NY 11901
 Toll-Free Phone: 1-888-663-4621
 Phone: 631-369-9099 Fax: 631-207-8312
 Email: nofinc@optonline.net
www.outdoorchaise.com

NATIONAL OUTDOOR FURNITURE, INC.

P.O. Box 325 Pomfret Center, Ct 06259
 Toll-Free Phone: 1-888-516-8873
 Phone: 1-860-974-9996 Fax: 516-706-1901
 Email: nofinc@earthlink.net
www.outdoorchaise.com