



Resinwood Colors



Gray



Black



Cedar

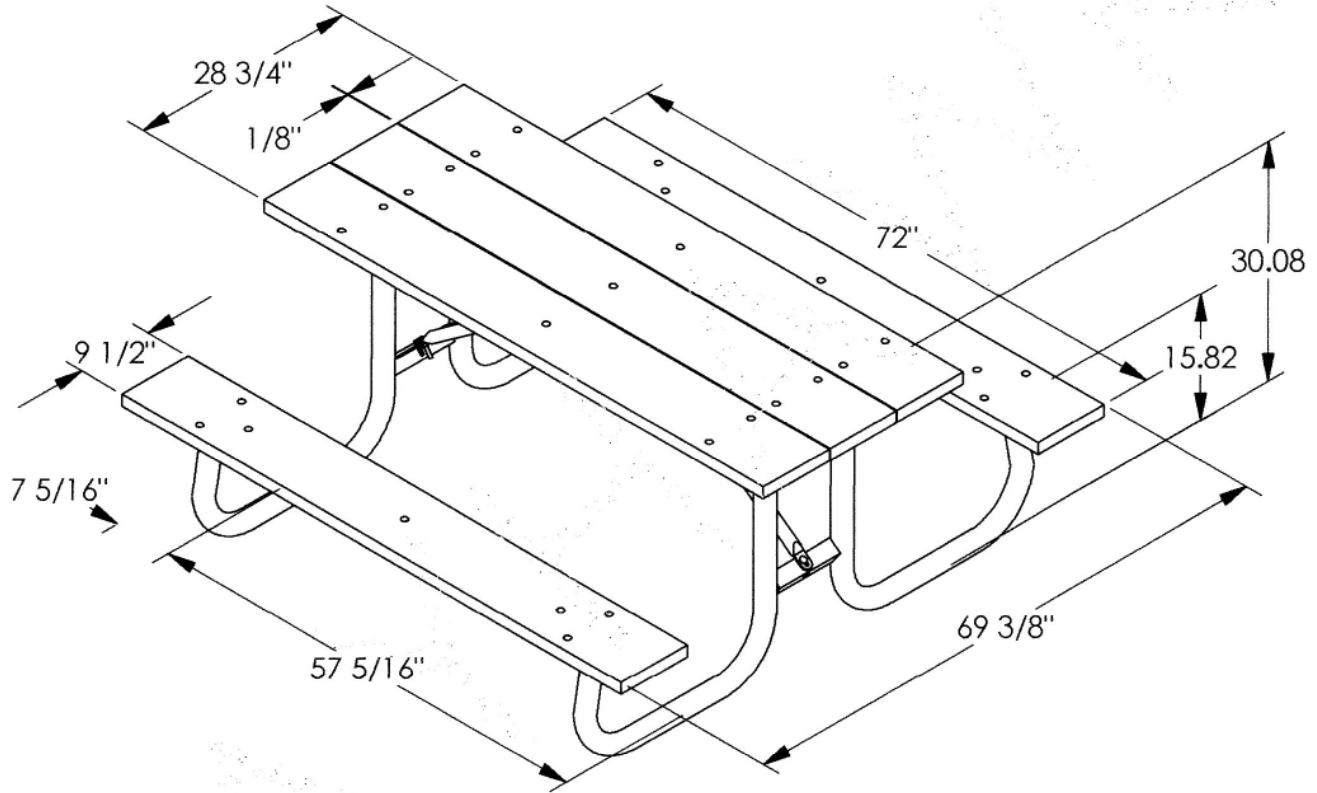


Green

6' Recycled Plastic Picnic Table with (2) Attached Seats, Galvanized Frame - Portable.

- 230 lbs.
- Dim: 72"W x 69 3/8"D x 30"H - Top is 3/4"D.
- Table top and seats are made with 2" x 10" recycled plastic slats. 2 3/8" O.D. galvanized frame.
- All holes are predrilled and countersunk for plastic lumber.
- Includes a UV protectant.
- Maintenance free.
- No umbrella hole.
- Table top and seats available in green, cedar, black, white and gray.
- Some assembly required.

Item #: JP PB6GFPIC



NOTES:

- 2 X 10 SLATS ARE RECYCLED PLASTIC
- BASES ARE 2 3/8" GALVANIZED STEEL
- TABLE SEATS ARE REINFORCED WITH GALVANIZED ANGLE IRON CROSS BRACES
- ALL HOLES ARE PRE-DRILLED
- ALL HARDWARE IS ZINC PLATED (3/8 X 2 1/4 & 3/8 X 3 CARRIAGE BOLT WITH LOCK WASHER AND NUT)
- STAINLESS STEEL HARDWARE AVAILABLE
- UNIT WEIGHT APPROX. 230 LBS.

<p>NATIONAL OUTDOOR FURNITURE, INC. P.O. Box 296 Riverhead, NY 11901 Toll-Free Phone: 1-888-663-4621 Phone: 631-369-9099 Fax: 631-207-8312 Email: nofinc@optonline.net www.outdoorchaise.com</p>	<p>NATIONAL OUTDOOR FURNITURE, INC. P.O. Box 325 Pomfret Center, Ct 06259 Toll-Free Phone: 1-888-516-8873 Phone: 1-860-974-9996 Fax: 516-706-1901 Email: nofinc@earthlink.net www.outdoorchaise.com</p>
---	--