



**Hex Hybrid Recycled Plastic Table with (3) Attached Seats - Portable/Surface Mount.**

- 230 lbs.
- Dim: 70"W x 70"D x 30"H - Top is 33"Hexagon.
- Table top and seats are made with 2" x 10" and 2" x 6" recycled plastic slats and 2" x 10" seats. Coppertone finish powdercoated frame.
- All holes are predrilled and countersunk for plastic lumber.
- Includes a UV protectant.
- Maintenance free.
- Frame includes hole for surface mount.
- Table top and seats available in green, cedar, black, white and gray with black base.
- With umbrella hole.
- Some assembly required.

**Item #:** JP PB6HYBHEX

**Resinwood Colors**



White



Cedar



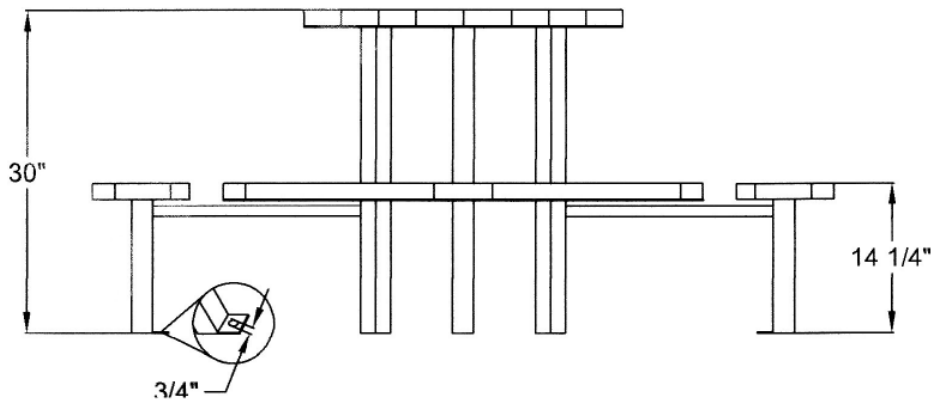
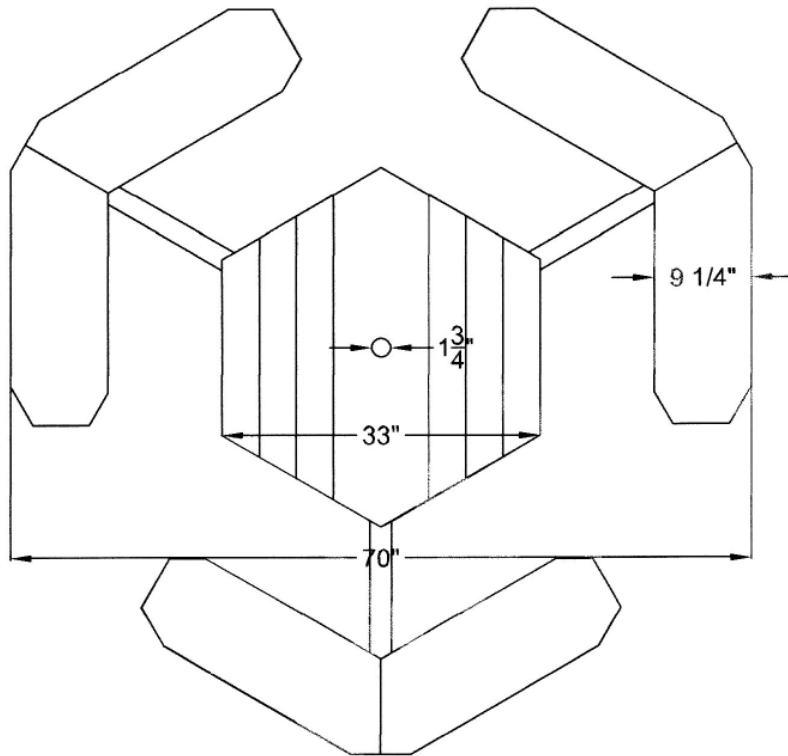
Green



Gray



Black



- SEAT AND TABLE TOP IS RECYCLED PLASTIC
- STRUCTURAL STEEL FRAME COATED IN COPPERTONE FINISH
- UMBRELLA HOLE 1 3/4" IS STANDARD
- BENCH FRAME INCLUDES HOLE FOR SURFACE MOUNT
- COMES WITH HEAVY DUTY ZINC COATED HARDWARE
- STAINLESS STEEL HARDWARE AVAILABLE
- UNIT WEIGHT APPROX. 230 LBS.

**NATIONAL OUTDOOR FURNITURE, INC.**

P.O. Box 296 Riverhead, NY 11901  
 Toll-Free Phone: 1-888-663-4621  
 Phone: 631-369-9099 Fax: 631-207-8312  
 Email: [nofinc@optonline.net](mailto:nofinc@optonline.net)  
[www.outdoorchaise.com](http://www.outdoorchaise.com)

**NATIONAL OUTDOOR FURNITURE, INC.**

P.O. Box 325 Pomfret Center, Ct 06259  
 Toll-Free Phone: 1-888-516-8873  
 Phone: 1-860-974-9996 Fax: 516-706-1901  
 Email: [nofinc@earthlink.net](mailto:nofinc@earthlink.net)  
[www.outdoorchaise.com](http://www.outdoorchaise.com)