



6' Lenexa Recycled Plastic Picnic Table with (1) 6 Ft. Attached Seat - Portable.

- 290 lbs.
- Dim: 72"W x 48"D x - Top is 28 1/2"D.
- Made with nine 2" x 6" recycled plastic slats and black recycled plastic base.
- All holes are predrilled and countersunk for plastic lumber.
- Includes a UV protectant.
- Maintenance free.
- No umbrella hole.
- Table top and seats available in green, cedar, black, white and gray with black base.
- Some assembly required.

Resinwood Colors



White



Cedar



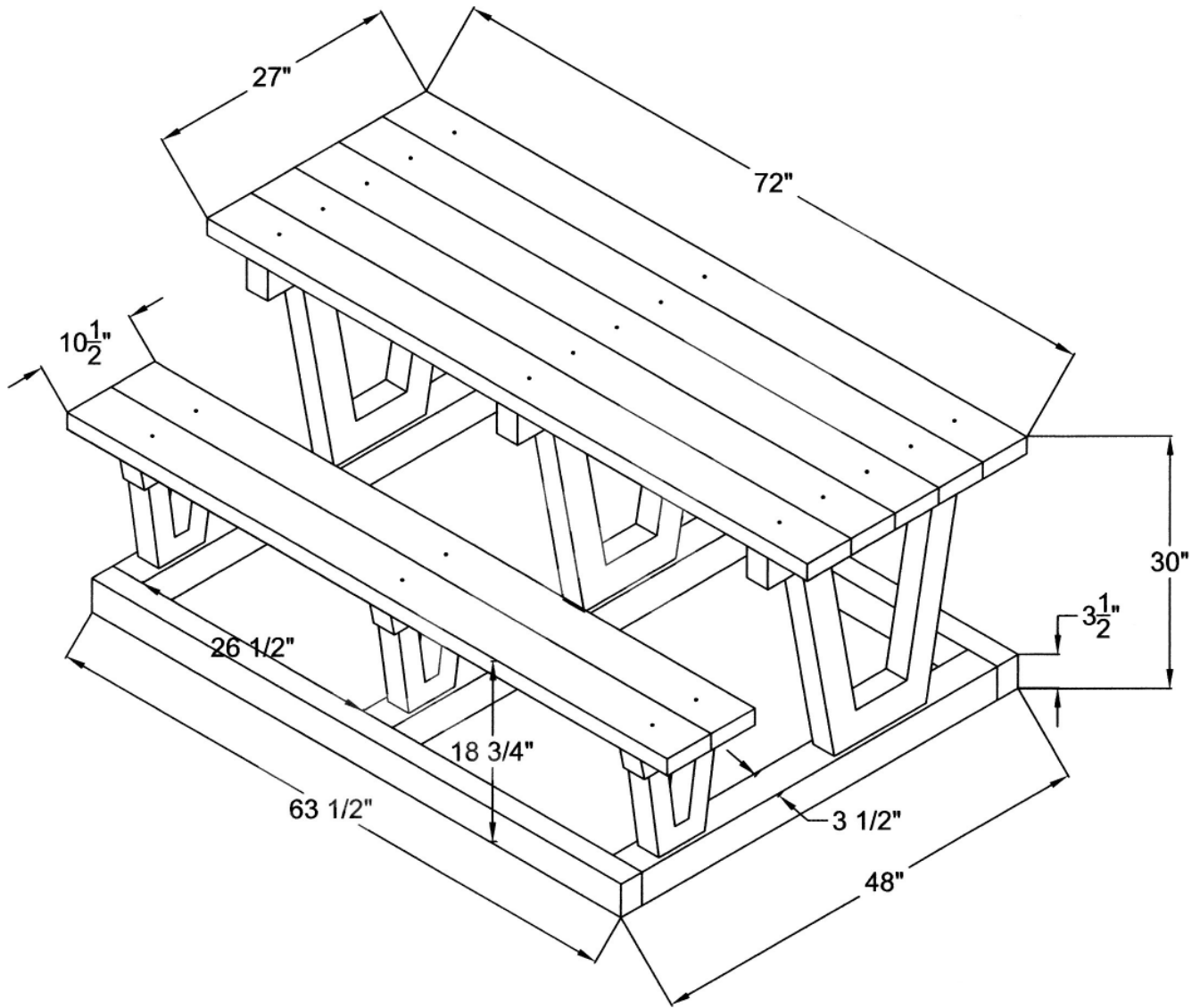
Green



Gray



Black



- TOP AND SEATS ARE 2"X6" RECYCLED PLASTIC
- BLACK RECYCLED PLASTIC BASE
- COMES WITH ZINC COATED HARDWARE
- UNIT WEIGHT APPROX. 290 LBS.

NATIONAL OUTDOOR FURNITURE, INC.

P.O. Box 296 Riverhead, NY 11901
 Toll-Free Phone: 1-888-663-4621
 Phone: 631-369-9099 Fax: 631-207-8312
 Email: nofinc@optonline.net
www.outdoorchaise.com

NATIONAL OUTDOOR FURNITURE, INC.

P.O. Box 325 Pomfret Center, Ct 06259
 Toll-Free Phone: 1-888-516-8873
 Phone: 1-860-974-9996 Fax: 516-706-1901
 Email: nofinc@earthlink.net
www.outdoorchaise.com