



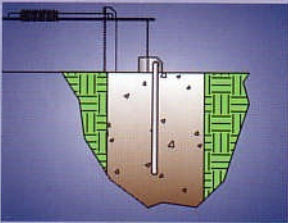
Double Wall 32" Diameter Non Adjustable Fire Ring- ADA Compliant.

- 200 Lbs.
- 270 Total square inch cooking surface with log grate.
- Fire ring size: 32" Diameter x 17" high with drain/draft holes.
- Constructed with 3/16" thick steel (A569).
- All joints continuously welded.
- Cooking grate tilts back 180 degrees for ease of fire building and clean out.
- Non adjustable theft proof grates are constructed from 1/2" dia. A36 Steel bars located on 1-1/8" centers..
- Grate handles constructed from 5/8" dia. A36 steel bars and are equipped with stay cool spring grips..
- Non-toxic black powder coat finish with staple anchors.
- Some assembly required.

Item #: JTA FRNDHC



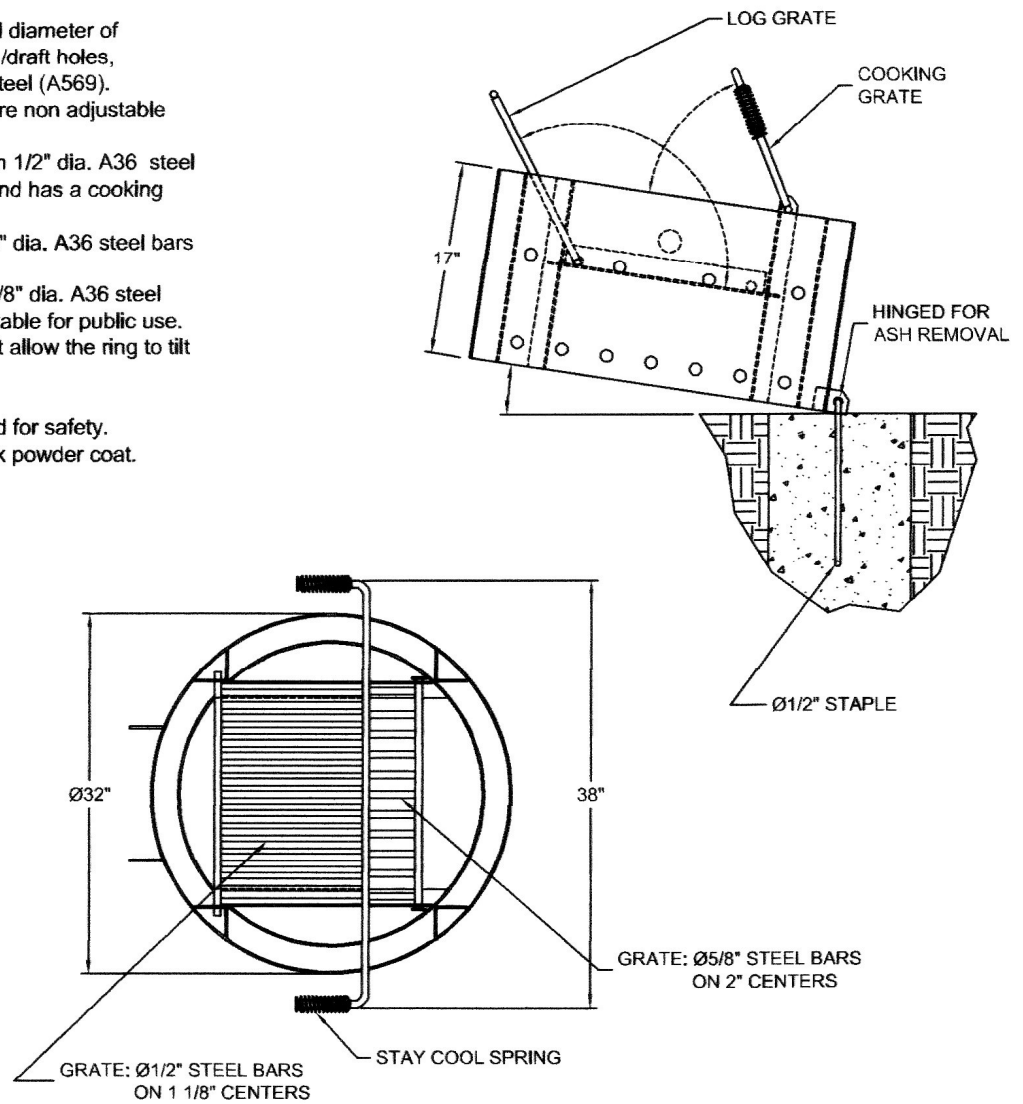
◀ Staples are included for permanent mounting. Staples allow the ring to tilt back for ease of maintenance



◀ Staple mount shown.

32" Diameter x 17"High ADA

- Double wall fire ring has an overall diameter of 32" x 17" high complete with drain/draft holes, and is constructed of 3/16" thick steel (A569).
- This fire ring has two grates that are non adjustable and theft proof:
 - Cooking grate is constructed from 1/2" dia. A36 steel bars located on 1 1/8" centers, and has a cooking area of 270 sq. inches.
 - Log grate is constructed from 5/8" dia. A36 steel bars located on 2" centers.
- Grate handle is constructed of a 5/8" dia. A36 steel bar with stay cool spring grips suitable for public use.
- Ring is mounted using staples that allow the ring to tilt back for ease of cleaning.
- All joints are continuously welded.
- All exposed corners are chamfered for safety.
- Standard finish is a non-toxic black powder coat.
- Approximate weight = 200 lbs.



NOTE : CUSTOMER TO PROVIDE CONCRETE (RECOMMENDED)

NATIONAL OUTDOOR FURNITURE, INC.

P.O. Box 296 Riverhead, NY 11901
 Toll-Free Phone: 1-888-663-4621
 Phone: 631-369-9099 Fax: 631-207-8312
 Email: nofinc@optonline.net
www.outdoorchaise.com

NATIONAL OUTDOOR FURNITURE, INC.

P.O. Box 325 Pomfret Center, Ct 06259
 Toll-Free Phone: 1-888-516-8873
 Phone: 1-860-974-9996 Fax: 516-706-1901
 Email: nofinc@earthlink.net
www.outdoorchaise.com