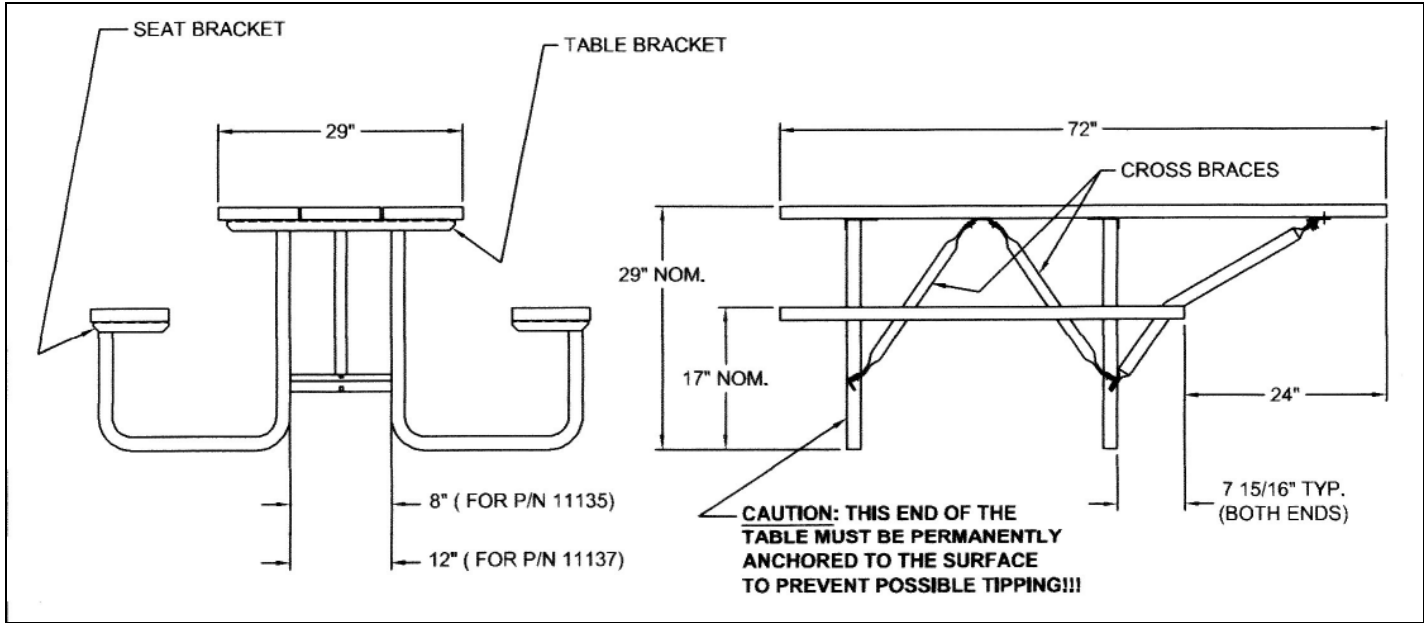


**1 5/8" O.D. Galvanized FRAME ONLY For 8' ADA Picnic Table with 6' Seats - Portable. Shown in 2 3/8" frame.**

- Frames available for 8', 10', 12' tables
- 1 1/2" OD x .065 wall tube. Available in 2 3/8" OD.
- One piece welded MIG welded frames
- All pipes conform to ASTM A513-94 standards
- All steel components conform to ASTM-A569
- All cross braces are 1" schedule 40 pipe.
- Diagonal cross brace 1" schedule 40 end brace for extension.
- Hardware included - 3/8" diameter galvanized steel carriage bolts.
- Add \$10.00 for surface mounting clamps.
- Some assembly required.

**Item #:** JTA G8FADA158



<p><b>NATIONAL OUTDOOR FURNITURE, INC.</b>  P.O. Box 296 Riverhead, NY 11901  Toll-Free Phone: 1-888-663-4621  Phone: 631-369-9099 Fax: 631-207-8312  Email: <a href="mailto:nofinc@optonline.net">nofinc@optonline.net</a>  <a href="http://www.outdoorchaise.com">www.outdoorchaise.com</a></p>	<p><b>NATIONAL OUTDOOR FURNITURE, INC.</b>  P.O. Box 325 Pomfret Center, Ct 06259  Toll-Free Phone: 1-888-516-8873  Phone: 1-860-974-9996 Fax: 516-706-1901  Email: <a href="mailto:nofinc@earthlink.net">nofinc@earthlink.net</a>  <a href="http://www.outdoorchaise.com">www.outdoorchaise.com</a></p>
---	--