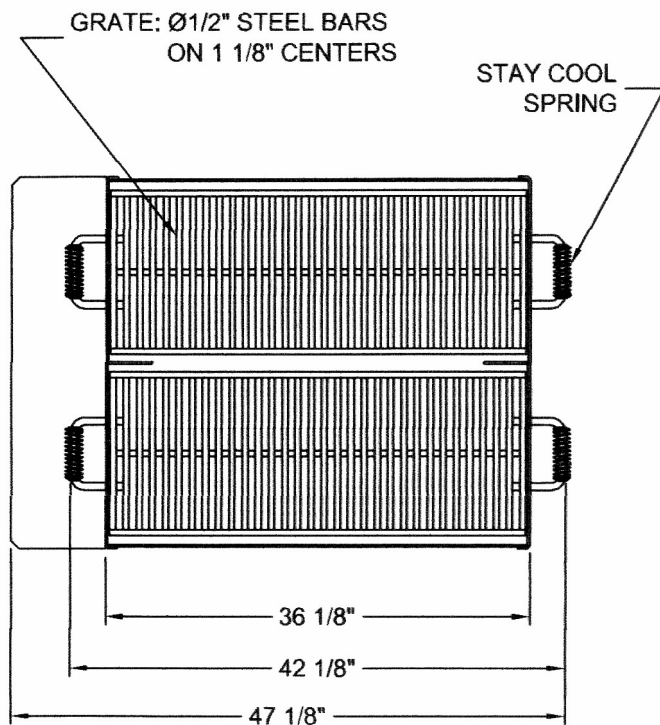


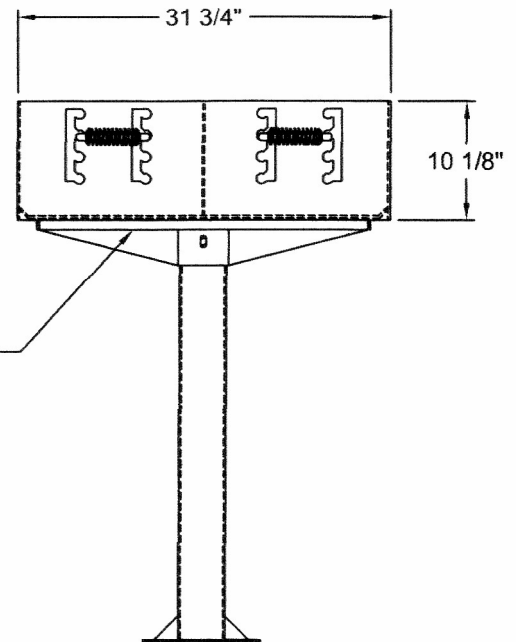
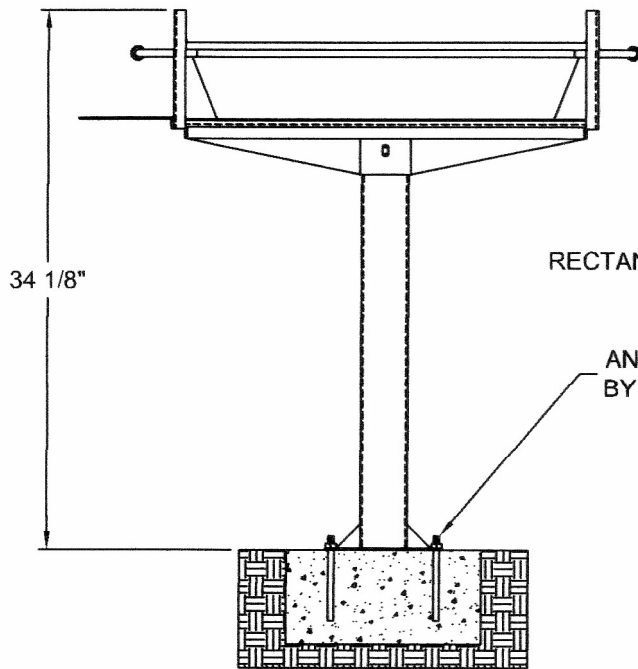
Large Park Grill w/Utility Shelf – Surface Mounting Post.

- 152 Lbs.
- 1008 Total square inch cooking surface.
- 2 Four position adjustable grates. Adjusts 3 1/2"-9" above firebox.
- Firebox size: 36 1/8" wide x 31 3/4" deep x 10-1/8" high and constructed with 3/16" thick steel (A569. All joint continuously welded.
- Grates constructed from 1/2" dia. A36 Steel bars located on 1-1/8" centers.
- Grate handles constructed from 5/8" dia. A36 steel bars and are equipped with stay cool spring grips..
- Non-toxic black powder coat finish.
- Grills include an integral ash retention flange and drain holes to help maintain and dispose of the ash in a safe, easy, and convenient manner.
- 4" x 4" Square surface mounted post. Available as inground mount post.
- Available with 1/4" steel back & bottom.
- 4" x 4" Inground post available.
- Some assembly required.

Item #: JTA LGG



- Firebox is 36 1/8" lg. x 31 3/4" deep x 10 1/8" high constructed of 3/16" thick steel (A569) with an integral ash retention flange and drain holes.
- Underside of firebox is reinforced with 4" tapered gussets and 3/16" thick x 1" steel bar rectangular framework.
- Two separate grates are constructed from 1/2" dia. A36 steel bars located on 1 1/8" centers. The four position theft proof grates adjust from 3 1/2" to 9" above the firebed. Each grate has a cooking area of 504 sq. inches for a total of 1008 sq. inches.
- Grate handles are constructed from 5/8" dia. A36 steel bars equipped with stay cool spring grips suitable for public use.
- Grill is supported by a heavy duty 4" square gusseted post for stationary concrete mounting. Post mounting plate is 3/16" thick x 10" x 10" and has four holes located on 8 1/2" centers.
- Standard shelf is 31 3/4" long x 8" deep.
- All joints are continuously welded.
- All exposed corners are chamfered for safety.
- Standard finish is a non-toxic black powder coat.
- Approximate weight = 215 lbs.



NOTE : CUSTOMER TO PROVIDE CONCRETE (RECOMMENDED)

**After post is anchored to the concrete, lower post receiver box onto the post. Align holes and secure with the hardware provided.

NATIONAL OUTDOOR FURNITURE, INC.

P.O. Box 296 Riverhead, NY 11901
 Toll-Free Phone: 1-888-663-4621
 Phone: 631-369-9099 Fax: 631-207-8312
 Email: nofinc@optonline.net
www.outdoorchaise.com

NATIONAL OUTDOOR FURNITURE, INC.

P.O. Box 325 Pomfret Center, Ct 06259
 Toll-Free Phone: 1-888-516-8873
 Phone: 1-860-974-9996 Fax: 516-706-1901
 Email: nofinc@earthlink.net
www.outdoorchaise.com