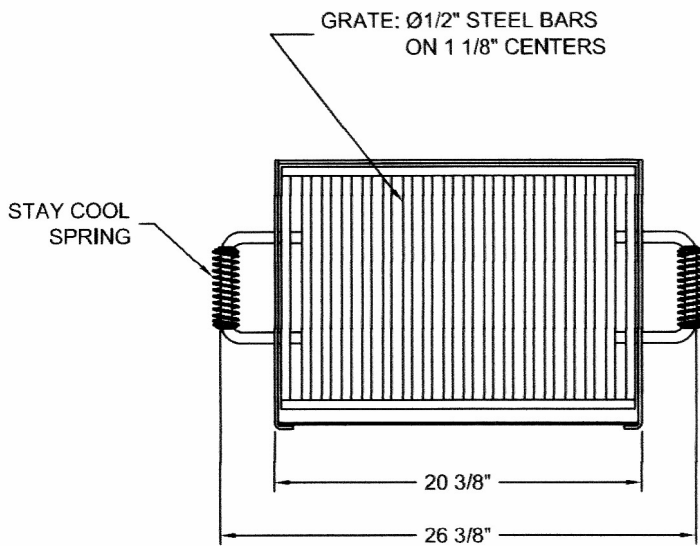


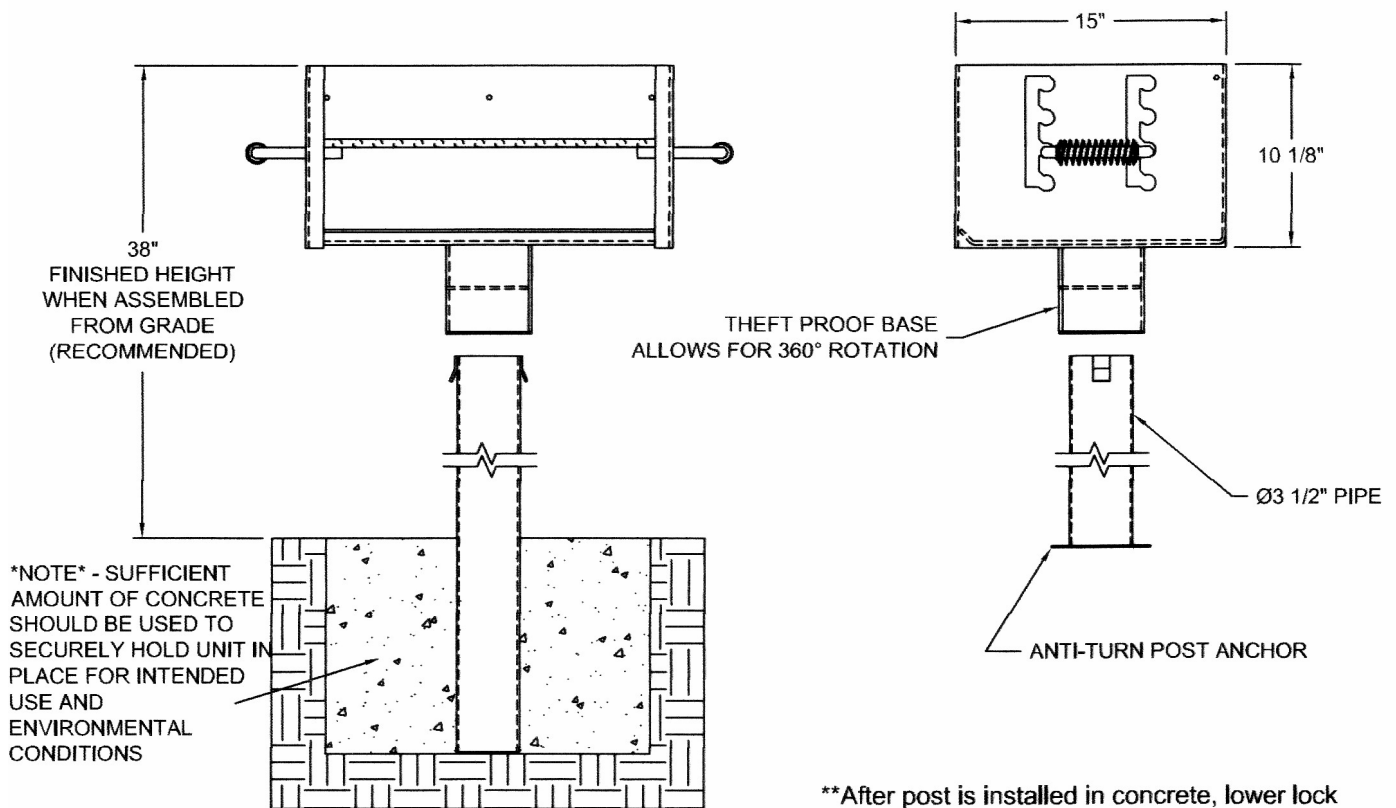
#### **Standard Park Grill – Inground Mount.**

- 76 Lbs.
- 300 Total square inch cooking surface.
- Four position adjustable theft proof grate. Adjusts 3 1/2"-9" above fire box.
- Firebox size: 20-3/8" wide x 15" deep x 10-1/8" high and constructed with 3/16" thick steel (A569). All joints continuously welded.
- Grates constructed from 1/2" dia. A36 Steel bars located on 1-1/8" centers.
- Grate handles constructed from 5/8" dia. A36 steel bars and are equipped with stay cool spring grips..
- Non-toxic black powder coat finish.
- Grills include an integral ash retention flange and drain holes to help maintain and dispose of the ash in a safe, easy, and convenient manner.
- 3 1/2" x 40" Round inground post. Will rotate 360 degrees. Available with surface mounting post or extra long inground post.
- Some assembly required.
- Available with 1/4" steel back and bottom.
- Some assembly required.

**Item #:** JTA SG



- Firebox is 20 3/8" long x 15" deep x 10 1/8" high constructed of 3/16" thick steel (A569) with an integral ash retention flange and drain holes.
- Grate is constructed from 1/2" dia. A36 steel bars located on 1 1/8" centers. The four position theft proof grate adjusts from 3 1/2" to 9" above the firebed, and has a cooking area of 300 sq. inches.
- Grate handles are constructed from 5/8" dia. A36 steel bars equipped with stay cool spring grips suitable for public use.
- Grill is supported by a heavy duty 3 1/2" dia. pipe to be installed in concrete. A theft proof base allows the grill to attach to the pipe and to rotate a full 360°.
- All joints are continuously welded.
- All exposed corners are chamfered for safety.
- Standard finish is a non-toxic black powder coat.
- Approximate weight = 76 lbs.



\*NOTE\* - SUFFICIENT AMOUNT OF CONCRETE SHOULD BE USED TO SECURELY HOLD UNIT IN PLACE FOR INTENDED USE AND ENVIRONMENTAL CONDITIONS

NOTE : CUSTOMER TO PROVIDE CONCRETE ( RECOMMENDED )

\*\*After post is installed in concrete, lower lock box onto the tabs. Align tabs, push down over tabs and rotate 90°, push down over tabs again.

**NATIONAL OUTDOOR FURNITURE, INC.**

P.O. Box 296 Riverhead, NY 11901  
 Toll-Free Phone: 1-888-663-4621  
 Phone: 631-369-9099 Fax: 631-207-8312  
 Email: [nofinc@optonline.net](mailto:nofinc@optonline.net)  
[www.outdoorchaise.com](http://www.outdoorchaise.com)

**NATIONAL OUTDOOR FURNITURE, INC.**

P.O. Box 325 Pomfret Center, Ct 06259  
 Toll-Free Phone: 1-888-516-8873  
 Phone: 1-860-974-9996 Fax: 516-706-1901  
 Email: [nofinc@earthlink.net](mailto:nofinc@earthlink.net)  
[www.outdoorchaise.com](http://www.outdoorchaise.com)