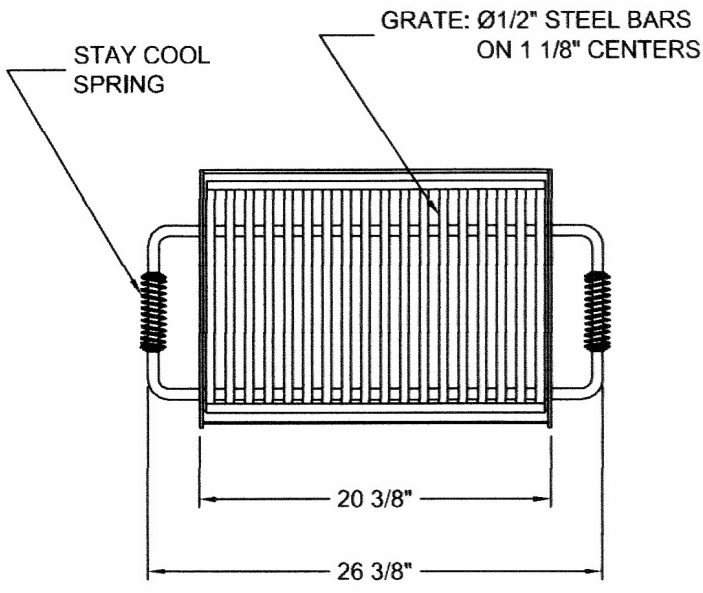


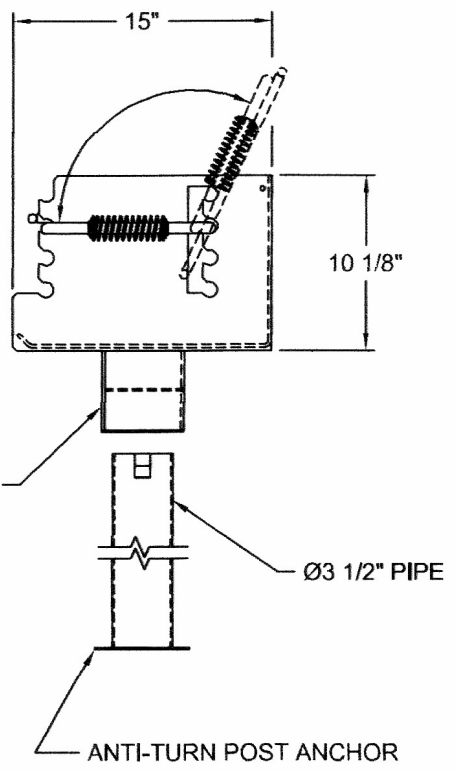
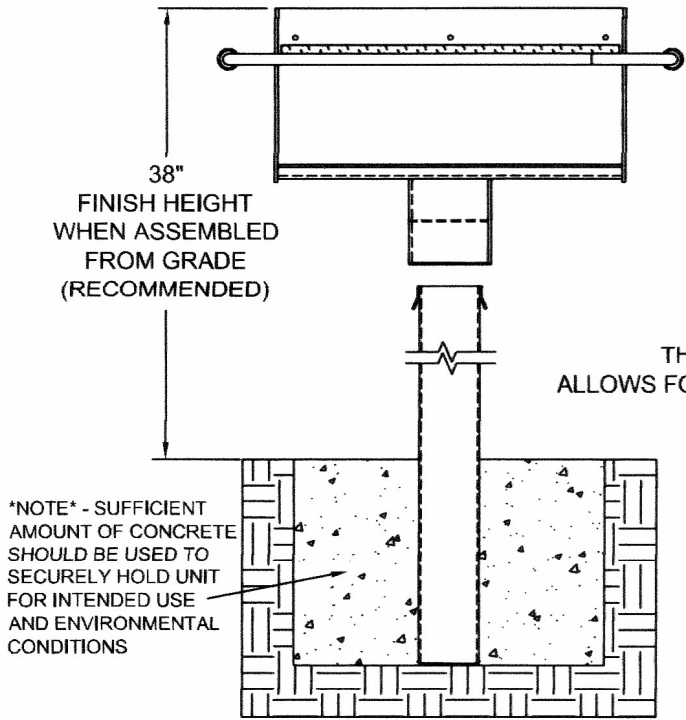
Standard Park Grill w/Tilt Back Adjustable Grate – Inground Mount.

- 80 Lbs.
- 300 Total square inch cooking surface.
- Four position adjustable theft proof grate. Tilts back for ease of cleaning and fire building.
- Firebox size: 20-3/8" wide x 15" deep x 10-1/8" high and constructed with 3/16" thick steel (A569). All joints continuously welded.
- Grates constructed from 1/2" dia. A36 Steel bars located on 1-1/8" centers.
- Grate handles constructed from 5/8" dia. A36 steel bars and are equipped with stay cool spring grips..
- Non-toxic black powder coat finish.
- Grills include an integral ash retention flange and drain holes to help maintain and dispose of the ash in a safe, easy, and convenient manner.
- 3 1/2" x 40" Round inground post. Will rotate 360 degrees. Available with surface mounting post or extra long inground post.
- Available with 1/4" steel back & bottom.
- Some assembly required.

Item #: JTA SGTG



- Firebox is 20 3/8" long x 15" deep x 10 1/8" high constructed of 3/16" thick steel (A569) with an integral ash retention flange and drain holes.
- Grate is constructed from 1/2" dia. A36 steel bars located on 1 1/8" centers. The four position theft proof grate adjusts from 3 1/2" to 9" above the firebed, and has a cooking area of 300 sq. inches.
- Grate handles are constructed from 5/8" dia. A36 steel bars equipped with stay cool spring grips suitable for public use.
- Grill is supported by a heavy duty 3 1/2" dia. pipe to be installed in concrete. A theft proof base allows the grill to attach to the pipe and to rotate a full 360°.
- Grill design allows grate to lift up and tilt back for ease of cleaning.
- All joints are continuously welded.
- All exposed corners are chamfered for safety.
- Standard finish is a non-toxic black powder coat.
- Approximate weight = 80 lbs.



NOTE : CUSTOMER TO PROVIDE CONCRETE (RECOMMENDED)

**After post is installed in concrete, lower lock box onto the tabs. Align tabs, push down over tabs and rotate 90°, push down over tabs again.

NATIONAL OUTDOOR FURNITURE, INC.
 P.O. Box 296 Riverhead, NY 11901
 Toll-Free Phone: 1-888-663-4621
 Phone: 631-369-9099 Fax: 631-207-8312
 Email: nofinc@optonline.net
www.outdoorchaise.com

NATIONAL OUTDOOR FURNITURE, INC.
 P.O. Box 325 Pomfret Center, Ct 06259
 Toll-Free Phone: 1-888-516-8873
 Phone: 1-860-974-9996 Fax: 516-706-1901
 Email: nofinc@earthlink.net
www.outdoorchaise.com