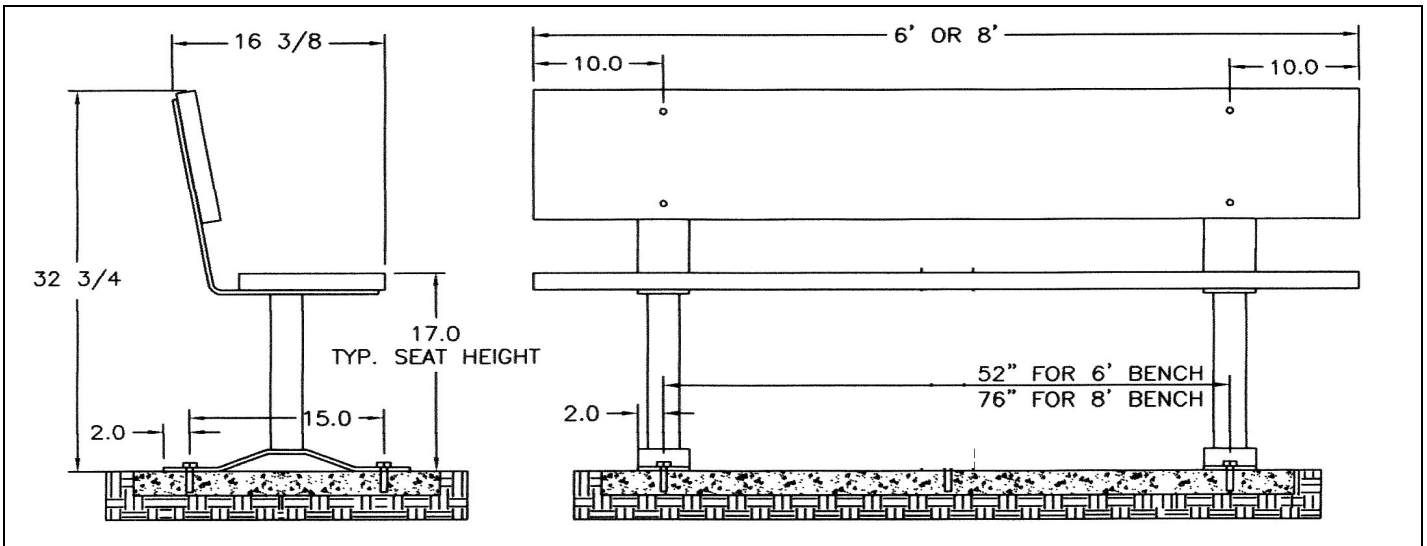




**6' Economy Bench, Black Powdercoated Frame, 2" x 12" #1 Treated Pine With Back – Surface Mount.**

- Available in 6' and 8' lengths..
- Overall Dimensions 6' L x 17 3/8"D x 32 3/4"H.
- 2 1/2" Square steel powdercoated posts.
- 2" x 12" Treated #1 pine seat and back with predrilled holes.
- Available with 3" x 4" treated lumber – not shown.
- 3/8" Steel mounting brackets
- Hardware included – 3/8" diameter galvanized steel carriage bolts.
- Available with galvanized frame – not shown.
- Some assembly required.

**Item #:** JTA TE6WBPSM212



**NATIONAL OUTDOOR FURNITURE, INC.**

P.O. Box 296 Riverhead, NY 11901  
 Toll-Free Phone: 1-888-663-4621  
 Phone: 631-369-9099 Fax: 631-207-8312  
 Email: [nofinc@optonline.net](mailto:nofinc@optonline.net)  
[www.outdoorchaise.com](http://www.outdoorchaise.com)

**NATIONAL OUTDOOR FURNITURE, INC.**

P.O. Box 325 Pomfret Center, Ct 06259  
 Toll-Free Phone: 1-888-516-8873  
 Phone: 1-860-974-9996 Fax: 516-706-1901  
 Email: [nofinc@earthlink.net](mailto:nofinc@earthlink.net)  
[www.outdoorchaise.com](http://www.outdoorchaise.com)