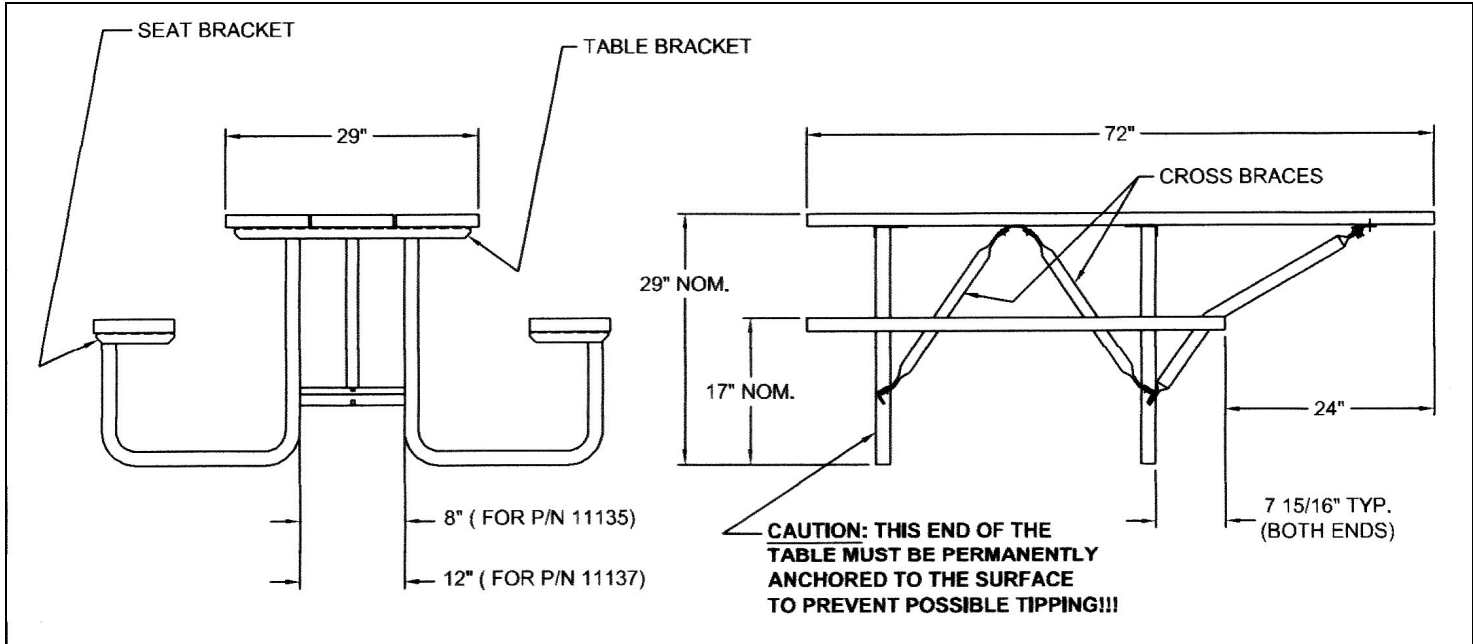


8' Picnic Table with 6' Seats - Galvanized Frame and Untreated #1 Pine.. - Portable. Shown in 2 3/8" frame.

- Click for more frame options.
- 96"L x 59 1/4"W x 29"H
- 1 5/8" OD x .065 wall tube. Available in 2 3/8" tube.
- One piece welded MIG welded frames
- All pipes conform to ASTM A513-94 standards
- All steel components conform to ASTM-A569
- All cross braces are 1" schedule 40 pipe.
- Diagonal cross brace 1" schedule 40 end brace for extension.
- Hardware included - 3/8" diameter galvanized steel carriage bolts.
- Add \$10.00 for surface mounting clamps.
- Some assembly required.

Item #: JTA U8GADA158



<p>NATIONAL OUTDOOR FURNITURE, INC. P.O. Box 296 Riverhead, NY 11901 Toll-Free Phone: 1-888-663-4621 Phone: 631-369-9099 Fax: 631-207-8312 Email: nofinc@optonline.net www.outdoorchaise.com</p>	<p>NATIONAL OUTDOOR FURNITURE, INC. P.O. Box 325 Pomfret Center, Ct 06259 Toll-Free Phone: 1-888-516-8873 Phone: 1-860-974-9996 Fax: 516-706-1901 Email: nofinc@earthlink.net www.outdoorchaise.com</p>
---	--