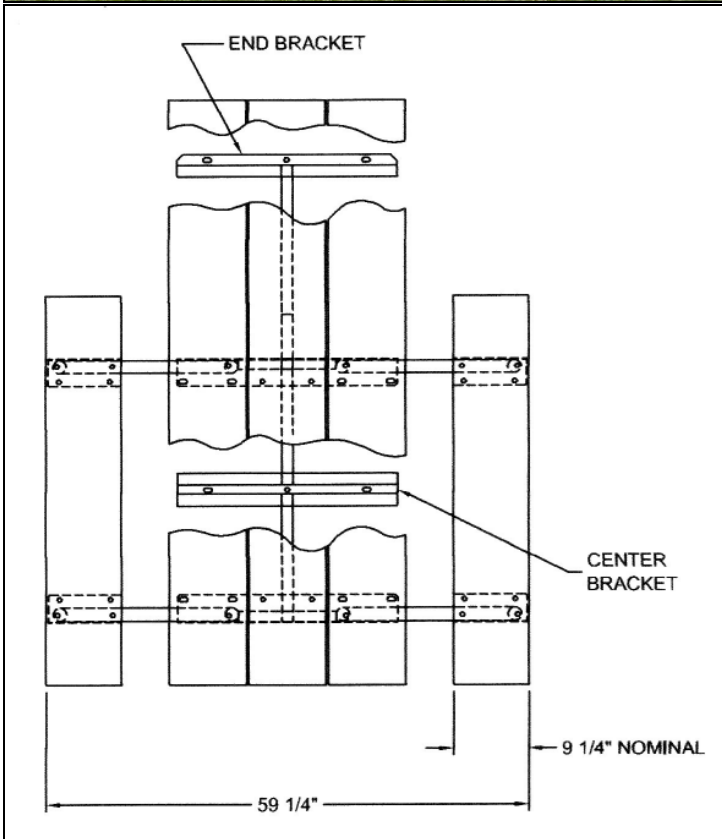


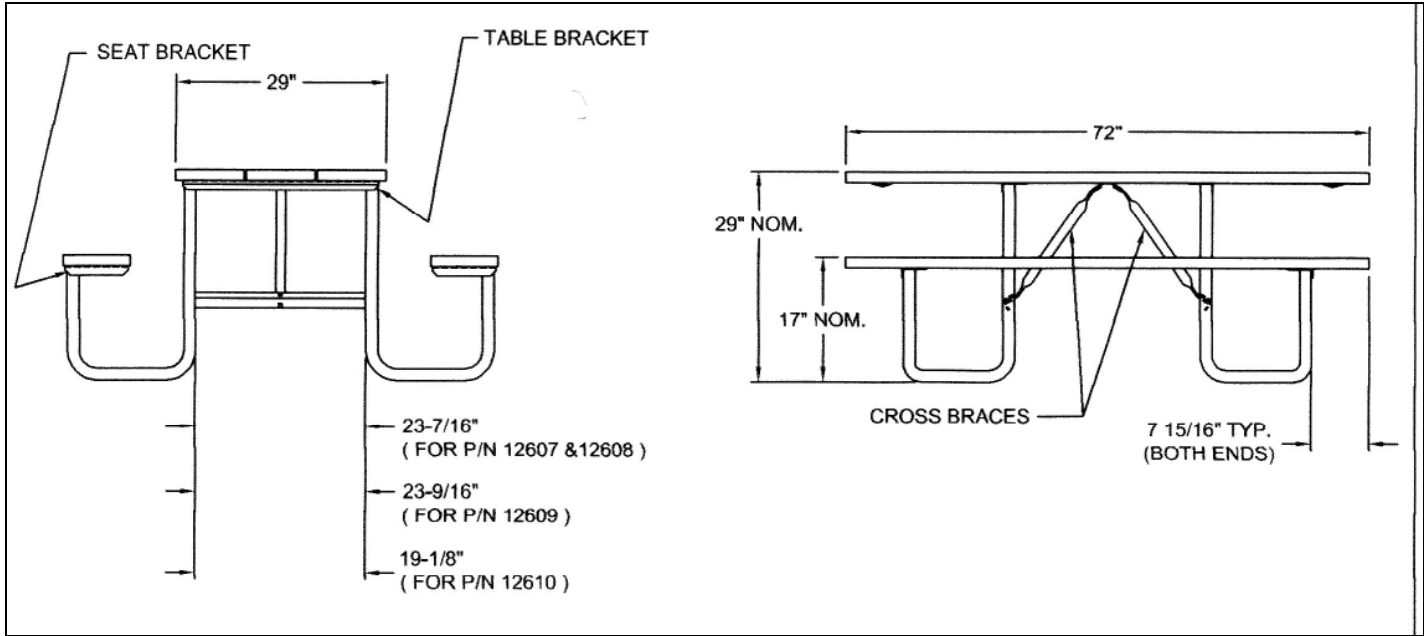


8' Universal ADA Picnic Table with Galvanized Frame and Untreated #1 Pine.. - Portable.

- Standard looking table that can accommodate two wheelchairs.
- 96"L x 59 1/4"W x 29"H
- 1 1/2" OD x .065 wall tube. Available in treated #1 pine and 2 3/8" tube.
- One piece welded MIG welded frames
- All pipes conform to ASTM A513-94 standards
- All steel components conform to ASTM-A569
- All cross braces are 1" schedule 40 pipe.
- Predrilled holes.
- Hardware included - 3/8" diameter galvanized steel carriage bolts.
- Add \$10.00 for surface mounting clamps.
- Some assembly required.

Item #: JTA UU8GADA158





NATIONAL OUTDOOR FURNITURE, INC.

P.O. Box 296 Riverhead, NY 11901
 Toll-Free Phone: 1-888-663-4621
 Phone: 631-369-9099 Fax: 631-207-8312
 Email: nofinc@optonline.net
www.outdoorchaise.com

NATIONAL OUTDOOR FURNITURE, INC.

P.O. Box 325 Pomfret Center, Ct 06259
 Toll-Free Phone: 1-888-516-8873
 Phone: 1-860-974-9996 Fax: 516-706-1901
 Email: nofinc@earthlink.net
www.outdoorchaise.com