

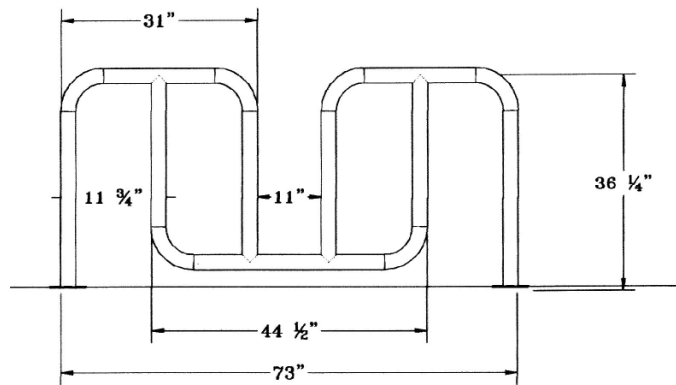


Multi Bike Rack.

- 100 Lbs.
- Plastisol or polyethylene coated 2 3/8" galvanized tubing.
- Available in surface mount, shown, and inground mount.
- Surface mounting covers and mounting hardware not included.

NOF# WC BKL7

Surface Mount



**Textured Polyethylene
and Plastisol Colors**



NATIONAL OUTDOOR FURNITURE, INC.

P.O. Box 296 Riverhead, NY 11901
 Toll-Free Phone: 1-888-663-4621
 Phone: 631-369-9099 Fax: 631-207-8312
 Email: nofinc@optonline.net
www.outdoorchaise.com

NATIONAL OUTDOOR FURNITURE, INC.

P.O. Box 325 Pomfret Center, Ct 06259
 Toll-Free Phone: 1-888-516-8873
 Phone: 1-860-974-9996 Fax: 516-706-1901
 Email: nofinc@earthlink.net
www.outdoorchaise.com