



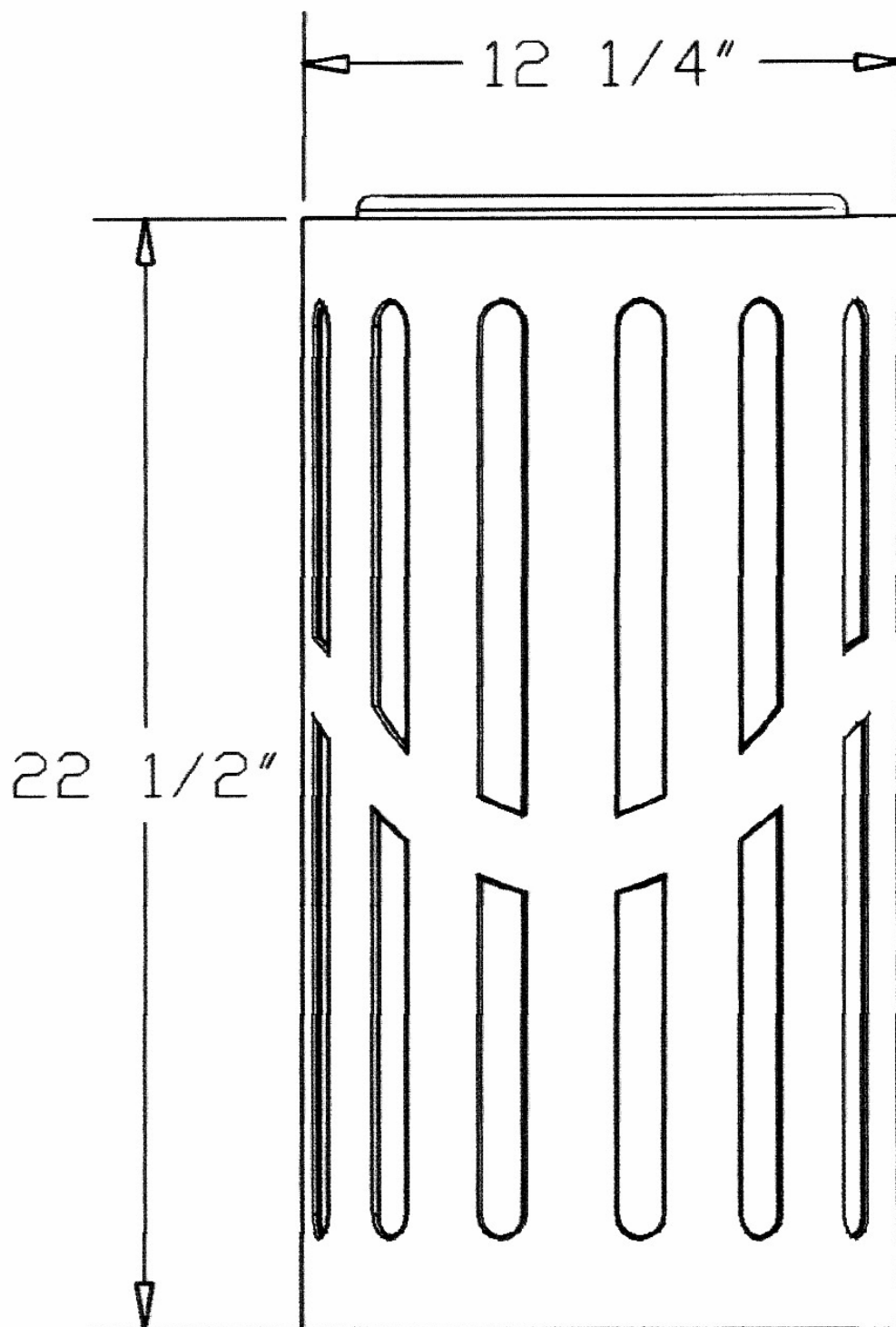
Classic Ash Urn

- 35 Lbs.
- 11" Diameter x 24" Tall.
- Stainless steel tray.
- PVC coated ribbed steel.
- Mounting options available.

Item #: WC CASH

**Standard Textured
Polyethylene Colors**





NATIONAL OUTDOOR FURNITURE, INC.

P.O. Box 296 Riverhead, NY 11901
Toll-Free Phone: 1-888-663-4621
Phone: 631-369-9099 Fax: 631-207-8312
Email: nofinc@optonline.net
www.outdoorchaise.com

NATIONAL OUTDOOR FURNITURE, INC.

P.O. Box 325 Pomfret Center, Ct 06259
Toll-Free Phone: 1-888-516-8873
Phone: 1-860-974-9996 Fax: 516-706-1901
Email: nofinc@earthlink.net
www.outdoorchaise.com