



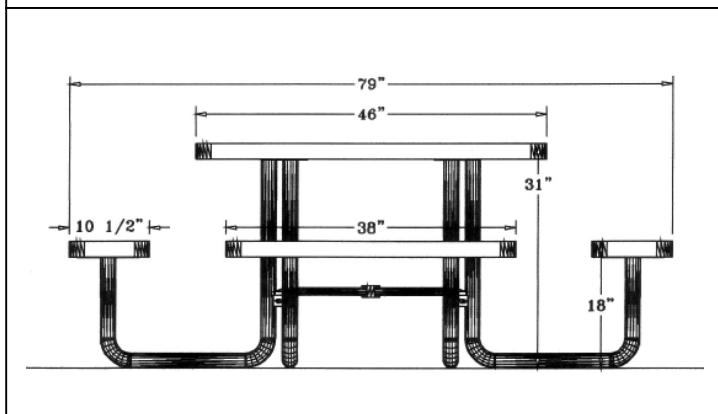
Classic Style



**46" Classic Pedestal Table with (4) Attached Seats - Portable.**

- 400 lbs.
- Plastisol or polyethylene coated ribbed steel seats.
- Rolled edge with 3/4" #9 pvc or polyethylene coated expanded metal top.
- 4" square zinc coated, powder coated galvanized frame (see insert).
- With or without umbrella hole.
- Some assembly required.

**Item #:** WC CSQ46PP



**Colors**



\* Available in Polyethylene only  
 \*\* Available in Polyethylene and Plastisol



<p><b>NATIONAL OUTDOOR FURNITURE, INC.</b>          P.O. Box 296 Riverhead, NY 11901          Toll-Free Phone: 1-888-663-4621          Phone: 631-369-9099 Fax: 631-207-8312          Email: <a href="mailto:nofinc@optonline.net">nofinc@optonline.net</a>  <a href="http://www.outdoorchaise.com">www.outdoorchaise.com</a></p>	<p><b>NATIONAL OUTDOOR FURNITURE, INC.</b>          P.O. Box 325 Pomfret Center, Ct 06259          Toll-Free Phone: 1-888-516-8873          Phone: 1-860-974-9996 Fax: 516-706-1901          Email: <a href="mailto:nofinc@earthlink.net">nofinc@earthlink.net</a>  <a href="http://www.outdoorchaise.com">www.outdoorchaise.com</a></p>
---	--