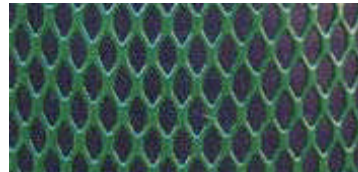




**15 Ft. Regal Bench With Back, Rounded Corners - Inground Mount.**

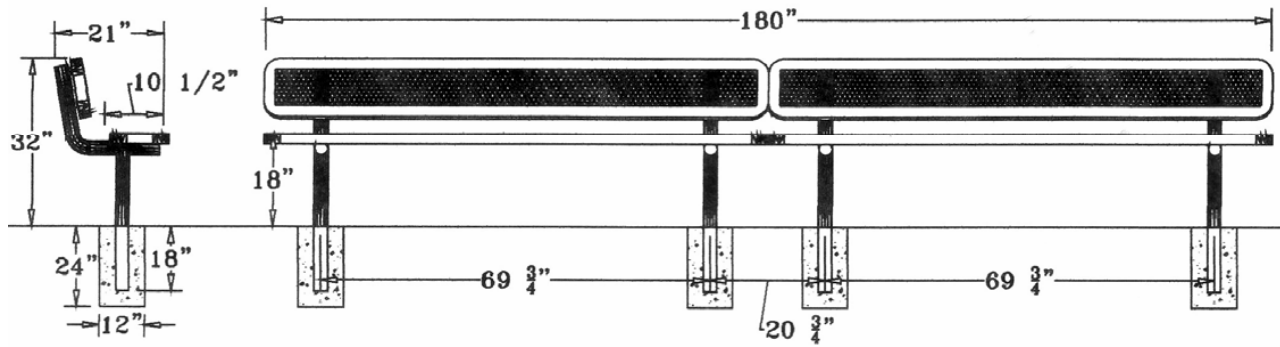
- 255 Lbs.
- Top and seats are made with heavy duty 3/4" #9 expanded metal inside a 2" x 2" x 1/8" angle iron frame.
- Four 3/8" Zinc coated, powder coated galvanized legs.
- Two sections bolted together.
- Some assembly required.

**Item #:** WC EB15WBIG



**Standard Plastisol Colors**





**NATIONAL OUTDOOR FURNITURE, INC.**

P.O. Box 296 Riverhead, NY 11901  
 Toll-Free Phone: 1-888-663-4621  
 Phone: 631-369-9099 Fax: 631-207-8312  
 Email: [nofinc@optonline.net](mailto:nofinc@optonline.net)  
[www.outdoorchaise.com](http://www.outdoorchaise.com)

**NATIONAL OUTDOOR FURNITURE, INC.**

P.O. Box 325 Pomfret Center, Ct 06259  
 Toll-Free Phone: 1-888-516-8873  
 Phone: 1-860-974-9996 Fax: 516-706-1901  
 Email: [nofinc@earthlink.net](mailto:nofinc@earthlink.net)  
[www.outdoorchaise.com](http://www.outdoorchaise.com)