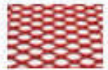
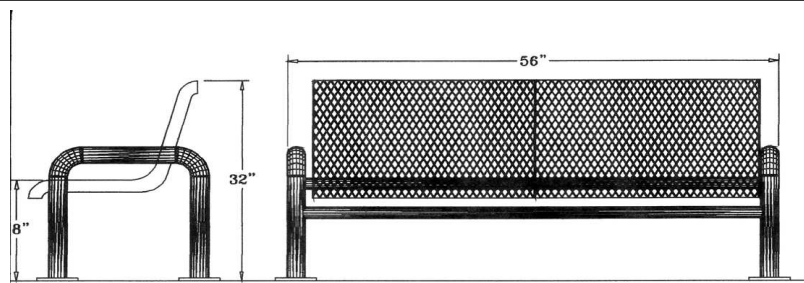


3/4" #9
Expanded Metal

4 Ft. Modern Contoured Bench with Back - Portable.

- 120 Lbs.
- 3/4" #9 Plastisol or polyethylene coated expanded metal.
- 2 7/8" Zinc coated, powder coated galvanized legs.
- Some assembly required.

Item #: WC MB4WBP

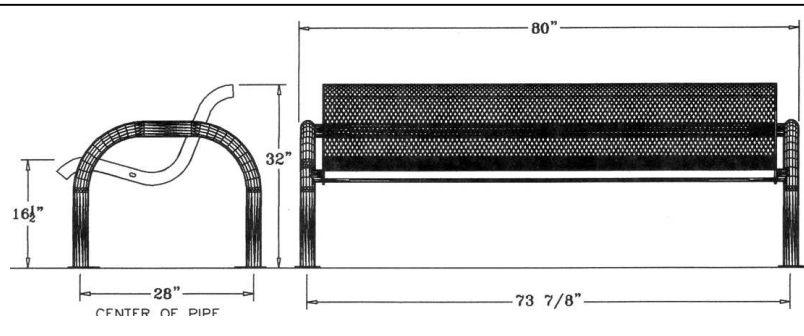


3/4" #9
Expanded Metal

6 Ft. Modern Contoured Bench with Back - Portable.

- 140 Lbs.
- 3/4" #9 Plastisol or polyethylene coated expanded metal.
- 2 7/8" Zinc coated, powder coated galvanized legs.
- Some assembly required.

Item #: WC MB6WBP



Colors



*Blue *Mystic Blue *Mariner Blue *Teal



*Purple **Red *Burgundy *Yellow



**Green **Black **Brown *Clay



*Gray *White *Orange *Sandstone

* Available in Polyethylene only
** Available in Polyethylene and Plastisol



Plastisol
Finish

Polyethylene
Finish

NATIONAL OUTDOOR FURNITURE, INC.

P.O. Box 296 Riverhead, NY 11901
Toll-Free Phone: 1-888-663-4621
Phone: 631-369-9099 Fax: 631-207-8312
Email: nofinc@optonline.net
www.outdoorchaise.com

NATIONAL OUTDOOR FURNITURE, INC.

P.O. Box 325 Pomfret Center, Ct 06259
Toll-Free Phone: 1-888-516-8873
Phone: 1-860-974-9996 Fax: 516-706-1901
Email: nofinc@earthlink.net
www.outdoorchaise.com