



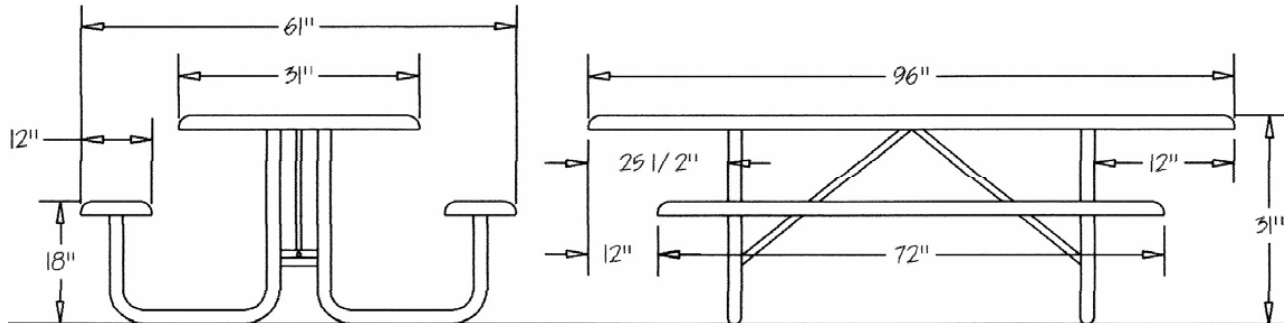
8' Perforated Table with (2) 6' Attached Seats, Rounded Corners - ADA Portable.

- 294 lbs.
- Large hole, 11 gauge punched steel.
- 2 3/8" O.D. zinc coated, powder coated galvanized frame.
- With or without umbrella hole. Umbrella hole will be off centered.
- Add \$10.00 for surface mounting clamps.
- Some assembly required.

Item #: WC PF8ADAP

Standard Plastisol Colors





NATIONAL OUTDOOR FURNITURE, INC.

P.O. Box 296 Riverhead, NY 11901
Toll-Free Phone: 1-888-663-4621
Phone: 631-369-9099 Fax: 631-207-8312
Email: nofinc@optonline.net
www.outdoorchaise.com

NATIONAL OUTDOOR FURNITURE, INC.

P.O. Box 325 Pomfret Center, Ct 06259
Toll-Free Phone: 1-888-516-8873
Phone: 1-860-974-9996 Fax: 516-706-1901
Email: nofinc@earthlink.net
www.outdoorchaise.com