



Regal Style

### Colors



\*Blue \*Mystic Blue \*Mariner Blue \*Teal



\*Purple \*\*Red \*Burgundy \*Yellow



\*\*Green \*\*Black \*\*Brown \*Clay



\*Gray \*White \*Orange \*Sandstone

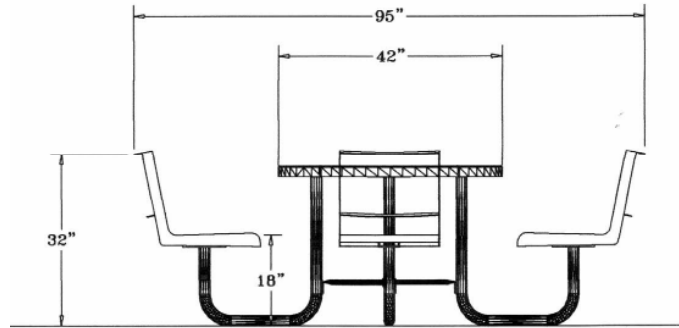
\* Available in Polyethylene only  
 \*\* Available in Polyethylene and Plastisol



#### 42" Round Canteen Table with (4) Attached Seats & Backs - Portable.

- 200 Lbs.
- 3/4" #9 Plastisol or polyethylene coated expanded metal seats/back/top.
- 2" zinc coated, powder coated galvanized frame.
- With or without umbrella hole.
- Surface and inground mounting clamps available.
- Some assembly required.

**Item #:** WC RD42WB



**NATIONAL OUTDOOR FURNITURE, INC.**  
 P.O. Box 296 Riverhead, NY 11901  
 Toll-Free Phone: 1-888-663-4621  
 Phone: 631-369-9099 Fax: 631-207-8312  
 Email: [nofinc@optonline.net](mailto:nofinc@optonline.net)  
[www.outdoorchaise.com](http://www.outdoorchaise.com)

**NATIONAL OUTDOOR FURNITURE, INC.**  
 P.O. Box 325 Pomfret Center, Ct 06259  
 Toll-Free Phone: 1-888-516-8873  
 Phone: 1-860-974-9996 Fax: 516-706-1901  
 Email: [nofinc@earthlink.net](mailto:nofinc@earthlink.net)  
[www.outdoorchaise.com](http://www.outdoorchaise.com)

