



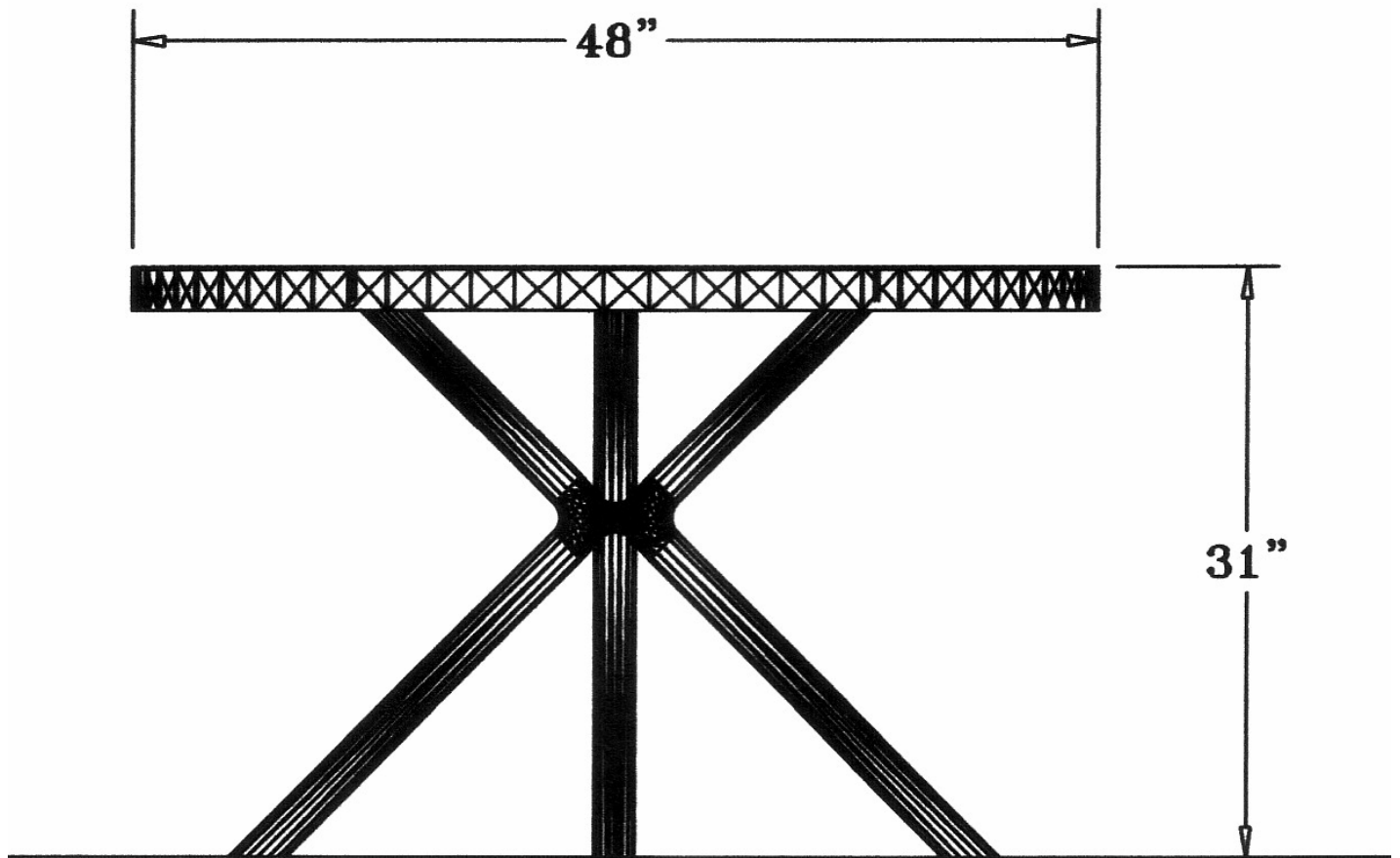
48" Round Canteen Table, No Seats - Portable.

- 80 lbs.
- Top is made with heavy duty pvc coated $\frac{3}{4}$ " #9 expanded metal inside a 2" x 2" x 1/8" angle iron frame.
- 2" round zinc coated, powder coated galvanized frame.
- With or without umbrella hole.
- Some assembly required.

Item# WC RD48P

Standard Textured Polyethylene Colors





NATIONAL OUTDOOR FURNITURE, INC.

P.O. Box 296 Riverhead, NY 11901
Toll-Free Phone: 1-888-663-4621
Phone: 631-369-3006 Fax: 631-207-8312
Email: nofinc@optonline.net
www.outdoorchaise.com

NATIONAL OUTDOOR FURNITURE, INC.

P.O. Box 325 Pomfret Center, Ct 06259
Toll-Free Phone: 1-888-516-8873
Phone: 1-860-974-9996 Fax: 516-706-1901
Email: nofinc@earthlink.net
www.outdoorchaise.com