



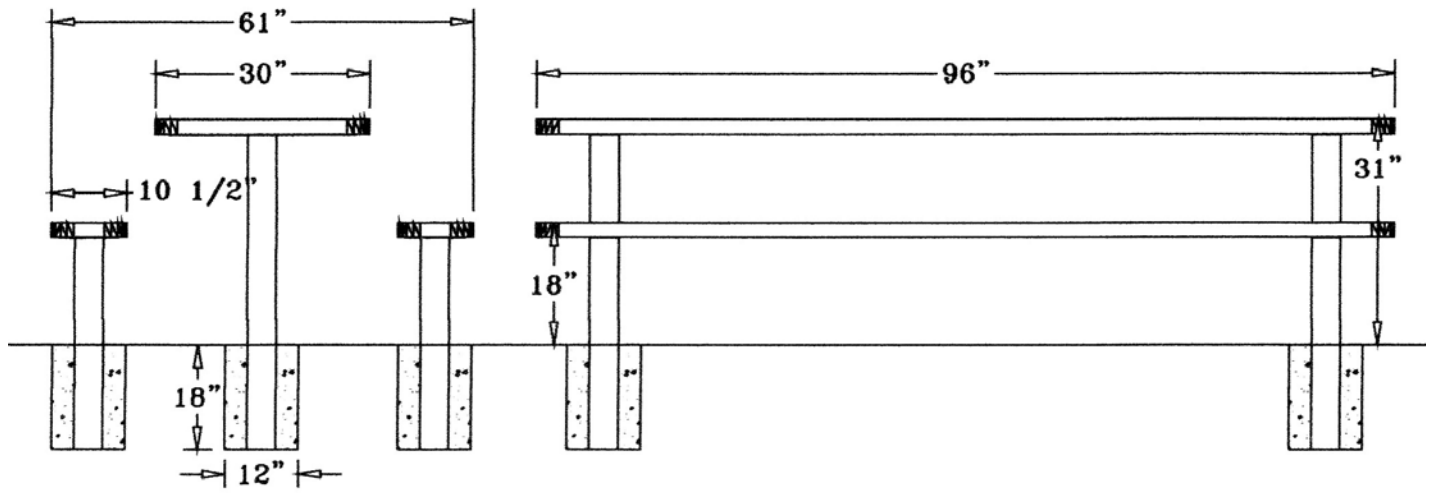
8' Regal Table with (2) Unattached Seats, Rounded Corners - Inground Mount.

- 354 lbs.
- Top and seats are made with heavy duty $\frac{3}{4}$ " #9 expanded metal inside a 2" x 2" x $\frac{1}{8}$ " angle iron frame.
- 4" square zinc coated, powder coated, galvanized pedestal frames.
- With or without umbrella hole.
- Some assembly required.

Item #: WC RU8IG

Standard Plastisol Colors





NATIONAL OUTDOOR FURNITURE, INC.

P.O. Box 296 Riverhead, NY 11901
 Toll-Free Phone: 1-888-663-4621
 Phone: 631-369-9099 Fax: 631-207-8312
 Email: nofinc@optonline.net
www.outdoorchaise.com

NATIONAL OUTDOOR FURNITURE, INC.

P.O. Box 325 Pomfret Center, Ct 06259
 Toll-Free Phone: 1-888-516-8873
 Phone: 1-860-974-9996 Fax: 516-706-1901
 Email: nofinc@earthlink.net
www.outdoorchaise.com