

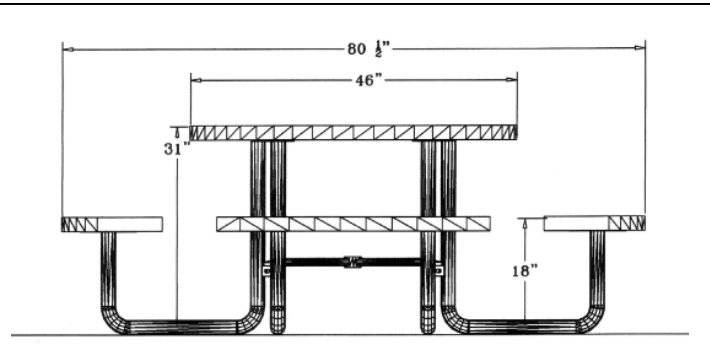


Regal Style

46" Round Canteen Table with (4) Attached Concave Seats - Portable.

- 239 lbs.
- Top and seats are made with heavy duty plastisol or polyethylene 3/4" #9 expanded metal inside a 2" x 2" x 1/8" angle iron frame. Seats are 46"
- 2" zinc coated, powder coated galvanized steel frame.
- With or without umbrella hole.
- Surface and inground mounting clamps available.
- Some assembly required.

Item #: WC SR46P



Textured Polyethylene and Plastisol Colors



*Sandstone Available in Polyethylene Only



NATIONAL OUTDOOR FURNITURE, INC.

P.O. Box 296 Riverhead, NY 11901
 Toll-Free Phone: 1-888-663-4621
 Phone: 631-369-9099 Fax: 631-207-8312
 Email: nofinc@optonline.net
www.outdoorchaise.com

NATIONAL OUTDOOR FURNITURE, INC.

P.O. Box 325 Pomfret Center, Ct 06259
 Toll-Free Phone: 1-888-516-8873
 Phone: 1-860-974-9996 Fax: 516-706-1901
 Email: nofinc@earthlink.net
www.outdoorchaise.com