



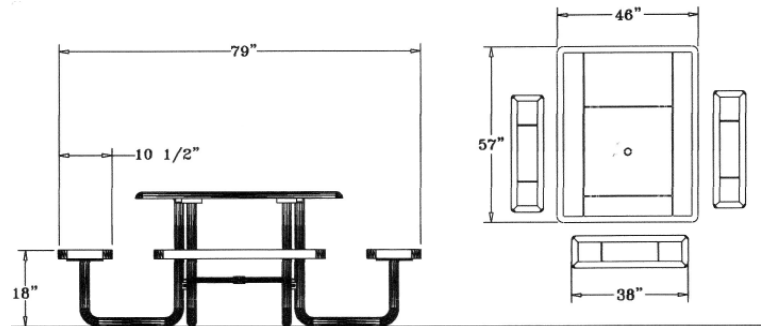
46" Square Perforated UltraLeisure Table with (3) Attached Seats – ADA/Portable.

- 46" x 57" ADA Top.
- 285 lbs.
- Overall Dim: Overall Dim:79" x 79" x 31"Ht.
- Top and seats are made with large hole plastisol or polyethylene 11 gauge punched steel inside a 2" x 3/4" x 1/8" angle iron frame.
- 2" O.D. zinc coated, powder coated galvanized frame.
- With or without umbrella hole. Umbrella hole will be off centered.
- Surface and inground mounting clamps available.
- Some assembly required.

Item #: WC UPF46ADA3P



Ultraleisure Perforated Style



Colors



*Blue *Mystic Blue**Mariner Blue *Teal



*Purple **Red *Burgundy *Yellow



**Green **Black **Brown *Clay



*Gray *White *Orange *Sandstone

* Available in Polyethylene only
 ** Available in Polyethylene and Plastisol



<p>NATIONAL OUTDOOR FURNITURE, INC. P.O. Box 296 Riverhead, NY 11901 Toll-Free Phone: 1-888-663-4621 Phone: 631-369-9099 Fax: 631-207-8312 Email: nofinc@optonline.net www.outdoorchaise.com</p>	<p>NATIONAL OUTDOOR FURNITURE, INC. P.O. Box 325 Pomfret Center, Ct 06259 Toll-Free Phone: 1-888-516-8873 Phone: 1-860-974-9996 Fax: 516-706-1901 Email: nofinc@earthlink.net www.outdoorchaise.com</p>
---	--