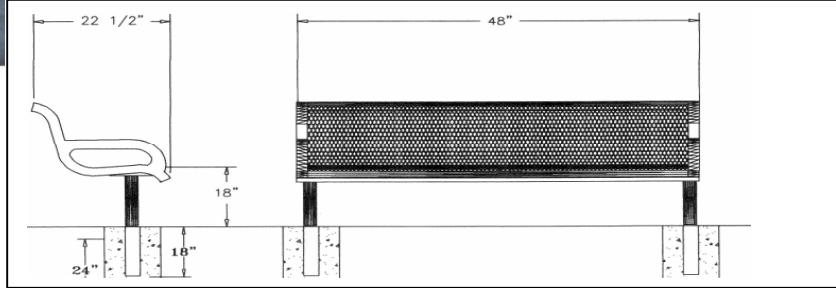
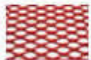
 3/4" #9 Expanded Metal

4 Ft. Wingline Bench with Back - Inground Mount.

- 78 Lbs.
- #9 Plastisol or polyethylene coated expanded steel seat/back.
- 2 7/8" Zinc coated, powder coated galvanized legs.
- Some assembly required.

Item #: WC WL4WBIG

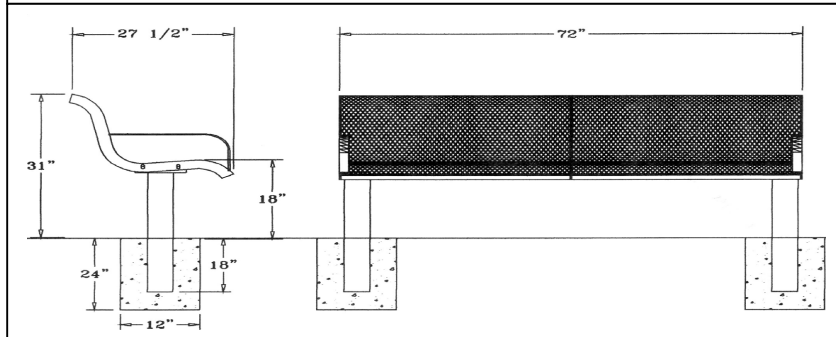


 3/4" #9 Expanded Metal

6 Ft. Wingline Bench with Back - Inground Mount.

- 93 Lbs.
- #9 Plastisol or polyethylene coated expanded steel seat/back.
- 2 7/8" Zinc coated, powder coated galvanized legs.
- Some assembly required.

Item #: WC WL6WBIG



Textured Polyethylene and Plastisol Colors



*Sandstone Available in Polyethylene Only



NATIONAL OUTDOOR FURNITURE, INC.

P.O. Box 296 Riverhead, NY 11901
 Toll-Free Phone: 1-888-663-4621
 Phone: 631-369-9099 Fax: 631-207-8312
 Email: nofinc@optonline.net
www.outdoorchaise.com

NATIONAL OUTDOOR FURNITURE, INC.

P.O. Box 325 Pomfret Center, Ct 06259
 Toll-Free Phone: 1-888-516-8873
 Phone: 1-860-974-9996 Fax: 516-706-1901
 Email: nofinc@earthlink.net
www.outdoorchaise.com